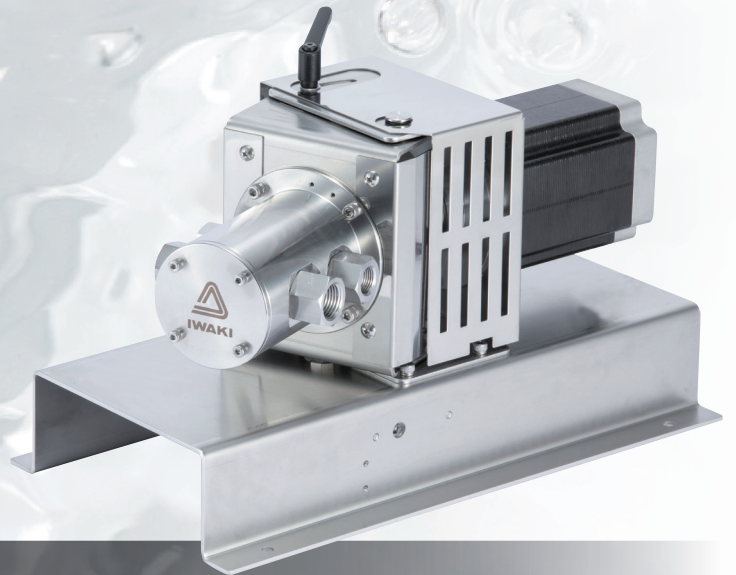


NEW**V-25**

Large amount of dispense volume up to 11 mL/shot
Precision valveless plunger pump

**Ultra-high precision**

The stepper motor enables high-precision injection with excellent controllability. To adjust the dispense volume, precise stroke adjustment is possible by adjusting the swing angle of the pump head with the rotary knob as desired.

**High chemical compatibility**

Ceramics, SUS316, PTFE, and FEPM are used for wetted parts.

**CE marking Compliant**

By complying with European EN standards, CE marking is now available as standard.

**Simple structure**

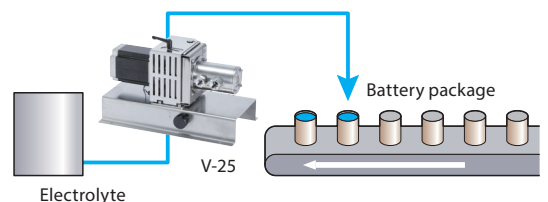
The pump head design is ease for maintenance because of its simple structure with fewer parts. Pump head is also disassemble easily.

**Reduces plunger seizing**

The flushing port reduces the plunger lock caused by adhesive or crystallization of the fluid used.

**Application**

Electrolyte injection for rechargeable battery

**Eliminating problems with the gas lock**

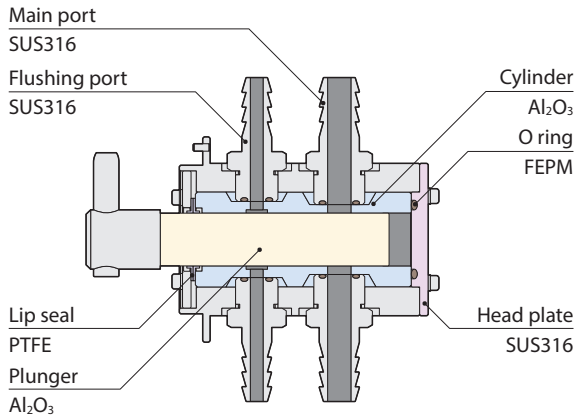
The unique valveless structure eliminates problems with the gas lock. Even if gas is mixed in the chamber, it is discharged simultaneously with the pushing-out action of the plunger.

Identification

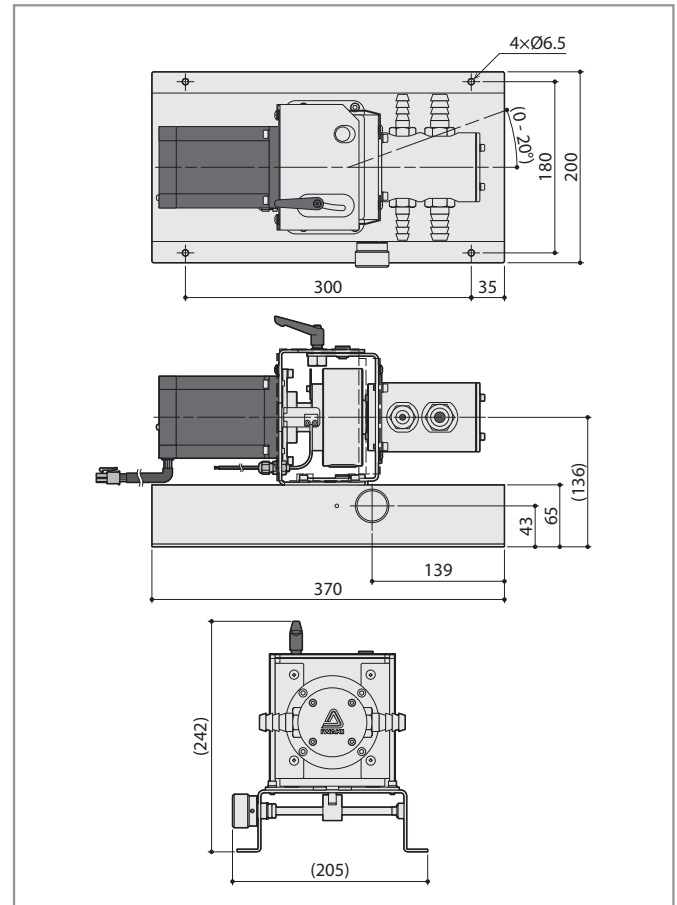
V - 25 A S P 7 7 - P

- ① Series name
V : Hi-Cera pump
- ② Plunger diameter
25 : Ø25mm
- ③ Plunger/Cylinder material
A : Al₂O₃/Al₂O₃
- ④ Pump head material
S : SUS304 (Machined)
- ⑤ Flushing port
P : With flushing port
□ : Without flushing port
- ⑥ Joint
7 : Ø19 hose (Flushing port Ø14 hose)
8 : Rc1/2 female adapter (Flushing port Rc3/8 female)
9 : Ø16×Ø13 Union (Flushing port Ø8×Ø6 Union)
- ⑦ Power voltage
7 : DC48V
- ⑧ Motor specifications
P : Stepper motor

Materials



Dimensions (mm)



Specifications

Pump

Max. discharge capacity per shot	Max. discharge capacity per min (RV)	Max. motor speed	Max. discharge pressure	Mass
mL/shot	mL/min	min ⁻¹	MPa	kg
11	3300	300	0.2	About 15

- *The above information is based on pumping clean water at the full stroke length, ambient temperature and zero discharge pressure.
- *The max flow volume per shot were collected at 100min⁻¹ with a discharge line open to the atmosphere.
- *Allowable room temperature : 0 - 40°C (32-104°F)
- *Allowable liquid temperature : 5 - 40°C (41-104°F)
- *Allowable ambient humidity : 35 - 85%RH (non-condensing)
- *The maximum allowable suction lift : 2m with clean water (can be changed with liquid characteristics)
- *Flush the pump head with clean water or solvent after operation with the crystallizing or adhesive liquid.

Stepper motor

Type	Basic step angle	Power voltage	Insulation class
2-phase bipolar	1.8°	48VDC±1V	B

Photo micro sensor

Power voltage Vcc	Output open-circuit voltage Vo	Output inflow current Isink
DCV	V	mA
5 - 24	Vcc	50

Options

- *Motor cable 4 wires 1m
- *Motor cable 4 wires 3m (Photo left)
- *Stepper motor driver
- *AC-DC power supply 100 - 240V/48V
- *Lip seal insertion jig (Photo right)



IWAKI CO., LTD. 6-6 Kanda-Sudacho 2-chome Chiyoda-ku Tokyo 101-8558 Japan TEL : (81)3 3254 2935 FAX : 3 3252 8892 IWAKI has global net work. Please find your distributor location at www.iwakupumps.jp

European office : IWAKI Europe GmbH	TEL: (49)2154 9254 0	FAX: 2154 9254 48
Germany : IWAKI Europe GmbH	TEL: (49)2154 9254 50	FAX: 2154 9254 55
Holland : IWAKI Europe GmbH (Netherlands Branch)	TEL: (31)74 2420011	FAX: (49)2154 925448
Italy : IWAKI Europe GmbH (Italy Branch)	TEL: (39)0444 371115	FAX: 0444 335350
Spain : IWAKI Europe GmbH (Spain Branch)	TEL: (34)93 37 70 198	FAX: 93 47 40 991
Belgium : IWAKI Belgium N.V.	TEL: (32)13 67 02 00	FAX: 13 67 20 30
Denmark : IWAKI Nordic A/S	TEL: (45)48 24 2345	
Finland : IWAKI Suomi Oy	TEL: (358)9 2745810	
France : IWAKI France S.A.	TEL: (33)1 69 63 33 70	FAX: 1 64 49 92 73
Norway : IWAKI Norge AS	TEL: (47)23 38 49 00	
Sweden : IWAKI Sverige AB	TEL: (46)8 511 72900	

()Country codes

U.S.A. : IWAKI America Inc.	TEL: (1)508 429 1440	FAX: 508 429 1386
Argentina : IWAKI America Inc. (Argentina Branch)	TEL: (54)11 4745 4116	
Brasil : IWAKI Do Brasil Comercio De Bombas Hidraulicas LTDA.	TEL: (55)11 9 3244 5900	FAX: 19 3244 5900
Singapore : IWAKI Singapore Pte Ltd.	TEL: (65)6316 2028	FAX: 6316 3221
Indonesia : IWAKI Singapore (Indonesia Office)	TEL: (62)21 6906606	FAX: 21 6906612
Malaysia : IWAKI Sdn. Bhd.	TEL: (60)3 7803 8807	FAX: 3 7803 4800
Australia : IWAKI Pumps Australia Pty Ltd.	TEL: (61)2 9899 2411	FAX: 2 9899 2421
Hong Kong : IWAKI Pumps Co., Ltd.	TEL: (852)2607 1168	FAX: 2607 1000
China : GFTZ IWAKI Engineering & Trading Co., Ltd.	TEL: (86)20 84350603	FAX: 20 84359181
: IWAKI Pumps (Shanghai) Co., Ltd.	TEL: (86)21 6272 7502	FAX: 21 6272 6929
Korea : IWAKI Korea Co.,Ltd.	TEL: (82)2 2630 4800	FAX: 2 2630 4801
Taiwan : IWAKI Pumps Taiwan Co., Ltd.	TEL: (886)2 8227 6900	FAX: 2 8227 6818
Thailand : IWAKI (Thailand) Co.,Ltd.	TEL: (66)2 322 2471	FAX: 2 322 2477

Caution for safety use:
Before use of pump, read instruction manual carefully to use the product correctly.

Legal attention related to export.

Our products and/or parts of products fall in the category of goods contained in control list of international regime for export control. Please be reminded that export license could be required when products are exported due to export control regulations of countries.

The posting and copying from this catalogue without permission is not accepted firmly.