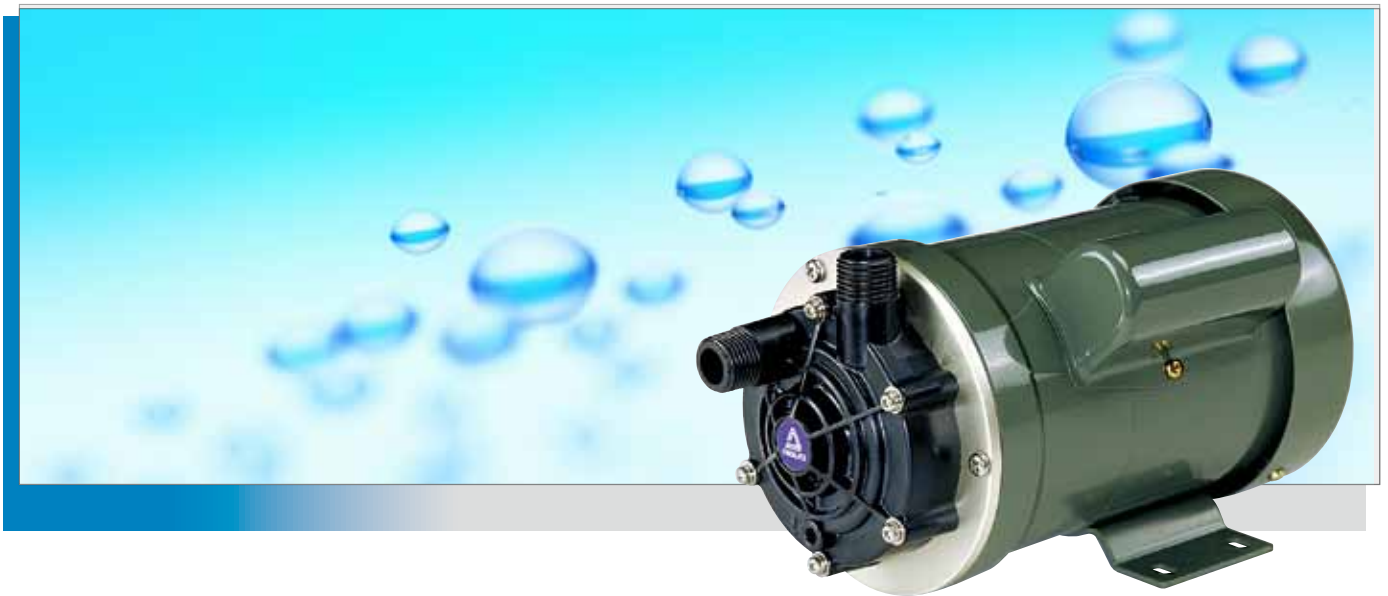


## Magnetic drive turbine pumps

### Compact size but high pressure of 0.35MPa



MDT Series is plastics made magnetic drive turbine pump.

Small flow and high head. Small size but high pressure up to 0.35MPa is available. No leakage seal-less construction makes it most suitable for being incorporated in equipments such as laser and X ray system cooling and temperature control system etc.

#### **Seal-less construction**

Thanks to magnet drive seal-less construction, no liquid leaks and no shaft-seal replacement is required.

#### **High pressure/high vacuum**

Small size but high pressure up to 0.35MPa is available. It can be used for negative pressure of suction side because it makes suction pressure up to 8.00kPa.

#### **Non-metal construction**

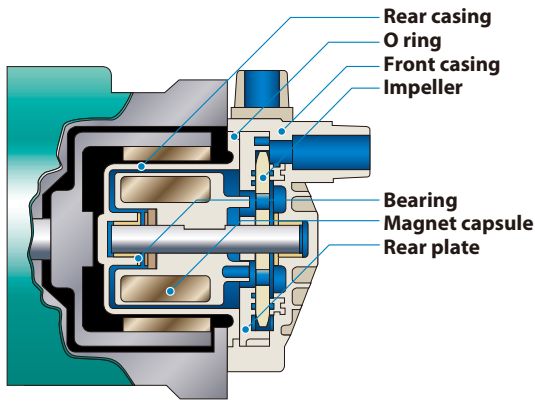
Wet-ends are corrosion resistant materials such as PPS, PEEK, ceramic, carbon. It can handle various chemicals such as acid and alkaline solutions because no metal is used.

#### **Compact design**

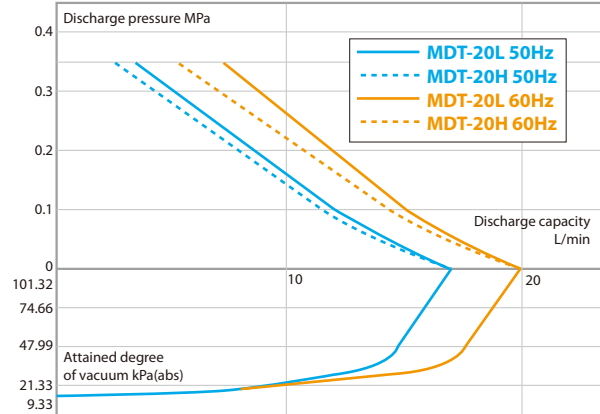
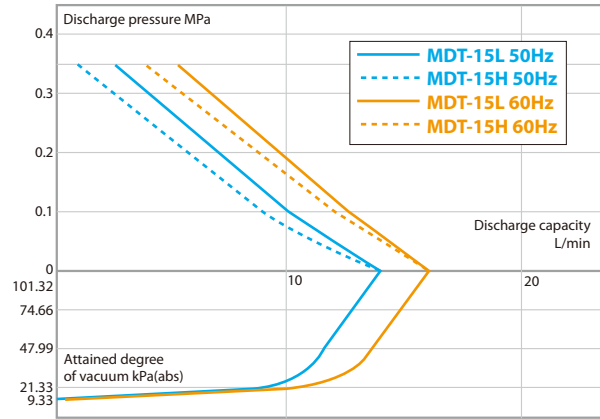
Ideal for incorporation in equipment and apparatus because it is small size and compact design.



## Construction



## Performance curves



## Wet end materials

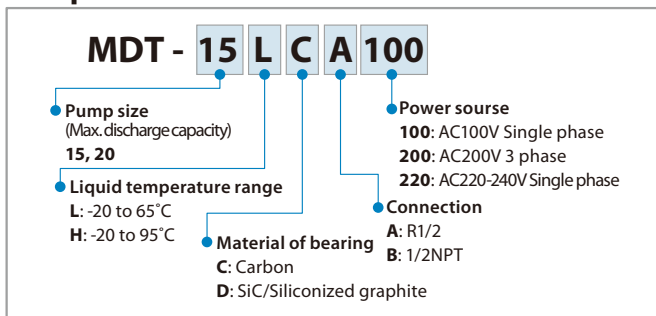
Part name	Material
Front casing	GFRPPS, CFRPPS
Thrust	
Rear casing	GFRPPS
Rear plate	CFRPPS
Impeller	CFRPEEK
Magnet capsule	GFRPPS, CFRPPS, Alminaceramic
Spindle	
O ring	EPDM
Bearing	Carbon or siliconized graphite

## Specifications

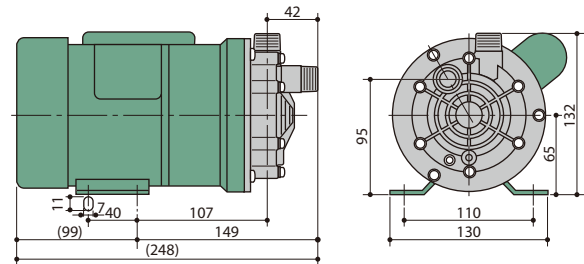
Model	Connection Suction/discharge	Max. capacity L/min	Max. pressure MPa	Attained degree of vacuum kPa(abs)	Liquid temperature range °C	Motor	Mass kg
MDT-15L	R1/2 or 1/2NPT	14/16	0.35	8.00	-20 to 65	AC100V/220V 180/220W Single phase or AC200V 180/220W 3 phase	6.3
MDT-15H				9.33	-20 to 95		
MDT-20L		8.00		-20 to 65			
MDT-20H	8.00	-20 to 95					

Note1: Ask us for liquid below 0 °C temperature. Note2: Max. permissible liquid viscosity is 2mPa.s. Ask us for more viscous liquid. Note3: Slurries containing liquid can not be handled. Note4: Above mentioned performance is pumping clear water at ambient temp. (25 °C). Performance may change depending on liquid characteristics and temperature. Ask us for details.

## Pump identification



## Dimensions in mm



[www.iwakipumps.jp](http://www.iwakipumps.jp)

IWAKI CO.,LTD. 6-6 Kanda-Sudacho 2-chome Chiyoda-ku Tokyo 101-8558 Japan TEL : (81)3 3254 2935 FAX : 3 3252 8892

### EUROPE / U.S.A.

European office	: IWAKI Europe GmbH	TEL: (49)2154 9254 0	FAX: 2154 9254 48
Holland	: IWAKI Europe (NL Branch)	TEL: (31)547 293 160	FAX: 547 292 332
Austria	: IWAKI (Austria) GmbH	TEL: (41)26 674 93 00	FAX: 26 674 93 02
Belgium	: IWAKI Belgium N.V.	TEL: (32)13 67 02 00	FAX: 13 67 20 30
Denmark	: IWAKI Nordic A/S	TEL: (45)48 24 2345	FAX: 48 24 2346
Finland	: IWAKI Suomi Oy	TEL: (358)9 2745810	FAX: 9 2742715
France	: IWAKI France S.A.	TEL: (33)1 69 63 33 70	FAX: 1 64 49 92 73
Germany	: IWAKI Europe GmbH	TEL: (49)2154 9254 50	FAX: 2154 9254 55
Italy	: IWAKI Italia S.R.L.	TEL: (39)02 990 3931	FAX: 02 990 42888
Norway	: IWAKI Norge AS	TEL: (47)66 81 16 60	FAX: 66 81 16 61
Spain	: IWAKI Iberica Pumps, S.A.	TEL: (34)943 630030	FAX: 943 628799
Sweden	: IWAKI Sverige AB	TEL: (46)8 511 72900	FAX: 8 511 72922
Switzerland	: IWAKI (Schweiz) AG	TEL: (41)26 674 93 00	FAX: 26 674 93 02
U.K.	: IWAKI Pumps (UK) Ltd.	TEL: (44)1743 231363	FAX: 1743 366507
U.S.A.	: IWAKI America Inc.	TEL: (1)508 429 1440	FAX: 508 429 1386

### ASIA / OCEANIA

Australia	: IWAKI Pumps Australia Pty Ltd.	TEL: (61)2 9899 2411	FAX : 2 9899 2421
China			
Hong Kong	: IWAKI Pumps Co., Ltd.	TEL: (852)2607 1168	FAX: 2607 1000
Shanghai	: IWAKI Pumps (Shanghai) Co., Ltd.	TEL: (86)21 6272 7502	FAX: 21 6272 6929
Guangzhou	: GFTZ IWAKI Engineering & Trading Co., Ltd.	TEL: (86)20 8435 0603	FAX: 20 8435 9181
Beijing	: GFTZ Iwaki Engineering & Trading Co., Ltd. (Beijing office)	TEL: (86)10 6442 7713	FAX: 10 6442 7712
Korea	: IWAKI Korea Co., Ltd.	TEL: (82)2 2630 4800	FAX: 2 2630 4801
Malaysia	: IWAKIM Sdn. Bhd.	TEL: (60)3 7803 8807	FAX: 3 7803 4800
Singapore	: IWAKI Singapore Pte Ltd.	TEL: (65)6316 2028	FAX: 6316 3221
Indonesia	: IWAKI Singapore (Indonesia Branch)	TEL: (62)21 6906606	FAX: 21 6906612
Taiwan	: IWAKI Pumps Taiwan Co., Ltd.	TEL: (886)2 8227 6900	FAX: 2 8227 6818
Thailand	: IWAKI (Thailand) Co., Ltd.	TEL: (66)2 322 2471	FAX: 2 322 2477
Vietnam	: IWAKI Pumps Vietnam Co., Ltd.	TEL: (84)613 933456	FAX: 613 933399

( )Country codes

**Caution for safety use:** Before use of pump, read instruction manual carefully to use the product correctly. Actual pumps may differ from the photos. Specifications and dimensions are subject to change without prior notice. For further details please contact us.

**Legal attention related to export.**

Our products and/or parts of products fall in the category of goods contained in control list of international regime for export control. Please be reminded that export license could be required when products are exported due to export control regulations of countries.

