



The Heart of Industry

**IWAKI**

IWAKI  
MAGNETIC  
DRIVE  
PUMPS

**MDE**



Solutions for chemical handling applications

# The World's Largest-Class Non-Metallic Magnetic Drive Pumps for Chemical Processing



MDE125

The MDE Series comprises the world's largest-class non-metallic magnetic drive pumps for chemical processing, with a maximum delivery of 4.0m<sup>3</sup>/min. and a maximum head of over 70 meters. The liquid end parts, plastics are made of advanced corrosion-resistant materials such as fluoro-resins and fine ceramics, and the major fluoroplastic-made parts are reinforced with special metal inserts for added mechanical strength and durability. These pumps have a maximum casing-pressure resistance of 1.6 MPa.

### Strong Corrosion Resistance

Fluoroplastic and fine ceramic are used in the liquid end parts. These materials enable strong acids, strong alkalines, and virtually all chemical solutions to be handled.

### High Levels of Durability

The exterior of the pumps is covered with ductile cast iron (FCD400). Ample pressure resistance has been provided in the rear casing through the adoption of a unique shape that prevents the concentration of stress, and a dual structure reinforced with an FRP cover. In addition, the spindle and magnet capsule, which are subject to the repetitive stress of rotational vibration, are made of fluoro-resin with special metal inserts. These are thus built to withstand sustained operation over an extended period under harsh service conditions.

### Compliant with standards ISO

The basic performance, dimensions, and other particulars of the pumps are in compliance with the international standard (ISO2858, 3661, 5199).

They are interchangeable with general-purpose centrifugal pumps.

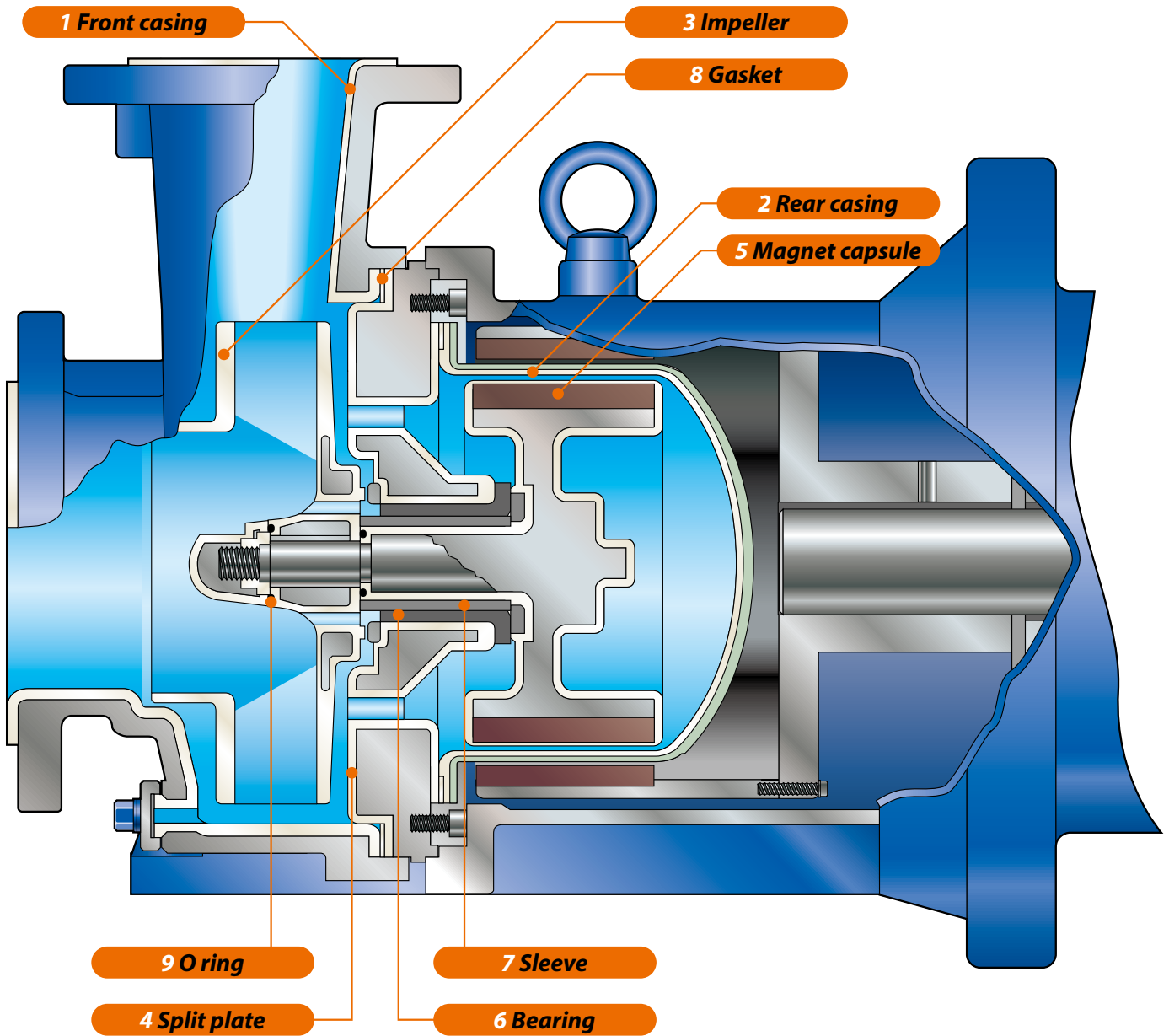
Note: Model MDE 125-250 is excluded.

### Back pullout construction

The pumps have back pullout construction, enabling their internals to be inspected or their component parts to be replaced without disconnecting associated piping. Moreover, the simplified construction consisting of unit components makes maintenance and inspection easy.

### Examples of applications

- CHEMICALS  
Soda industry (manufacture of hydrochloric and hypochlorous acids, as well as their secondary products), manufacture of hydrofluoric acids and fluorides, manufacture of chemical fertilizers, circulation of reaction liquid in gas-absorption towers, oil refining (sulfuric acid), use in waste-acid recovery and regeneration facilities, and transfer and supply of strong acids to tank trucks at general chemical plants
- PHARMACEUTICALS  
Manufacture of high purity chemicals for semiconductors, manufacture of agricultural chemicals, use in factories for the synthesis of medicine, and manufacture of chemicals for water treatment
- PLATING  
Recycle filtration of plating liquid for various plating systems
- ELECTRICAL APPLIANCES  
Manufacture of electrolytic capacitors (etching of aluminum film), hydrofluoric-acid treatment of braun tubes, transfer of electrolytic liquid for storage batteries and dry cells, etching of printed wiring boards, and transfer of pure chemicals for semiconductors
- METAL INDUSTRY  
Use in alumite treatment facilities, degreasing and pickling at wire elongation plants and steel-rolling mills, use in facilities for the prepainting treatment of vehicles (degreasing and acid washing), and use in factories for the manufacture of titanium oxide, rare-earth elements, etc.
- MINING  
Metal smelting (transfer and circulation of electrolytic liquid) and scrubber treatment of waste gases
- FOOD INDUSTRY  
Manufacture of monosodium glutamate (hydrochloric acid), refining of edible oils (sulfuric acid), and use in fruit-canning plants (hydrochloric acid)
- WATER TREATMENT  
Washing of ion-exchange resins, and use in pure-water production facilities and salt-to-fresh brine distillation facilities
- POLLUTION CONTROL  
Charging of wastewater treatment chemicals into injection tanks, collection and transfer of waste liquid, and use in gas adsorption facilities (deodorization equipment, desulfurization of flue gas, etc.)



### 2 Rear casing

The base of this component has a unique downed shape that prevents stress concentration. In addition, this component is reinforced with an FRP cover to provide the required pressure resistance. It is also designed to maximise safety by preventing sparks from being discharged if it is accidentally contacted by the drive magnet.



### 4 Split plate

This is made of fluoro-resin with a molded-in ductile cast steel insert. Its sturdy construction supports the rotor assembly rigidly. Moreover, it has a back-flow port that is effective in cooling the bearing parts and discharging slurry.



### 6 Bearing / 7 Sleeve

The use of SIC for these parts maximises their abrasion resistance, impact resistance, and heat resistance. The sleeve system has been adopted to ease maintenance and replacement and reduce costs.



### 3 Impeller

The impeller with integral shroud has a molded-in metal reinforcing insert. Mechanical strength and pumping efficiency have been improved over previous types.



### 5 Magnet capsule

The metal shaft and rare-earth magnet have a hermetically molded fluoroplastic cover. It has excellent durability and produces high torque.

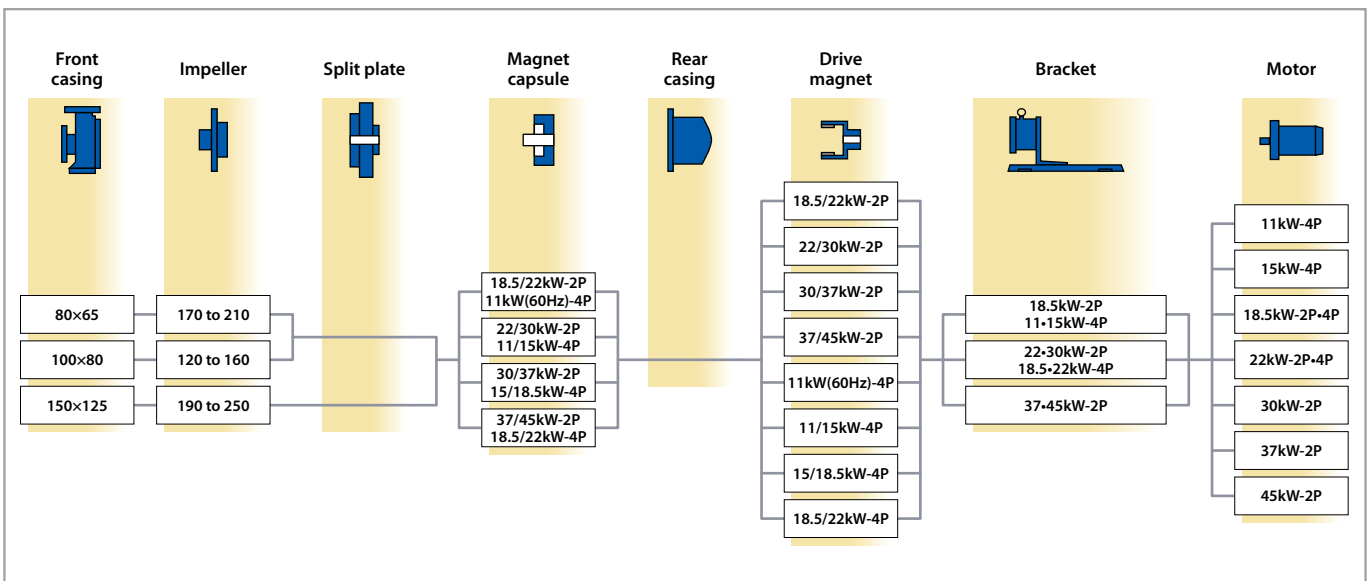


### Liquid end materials

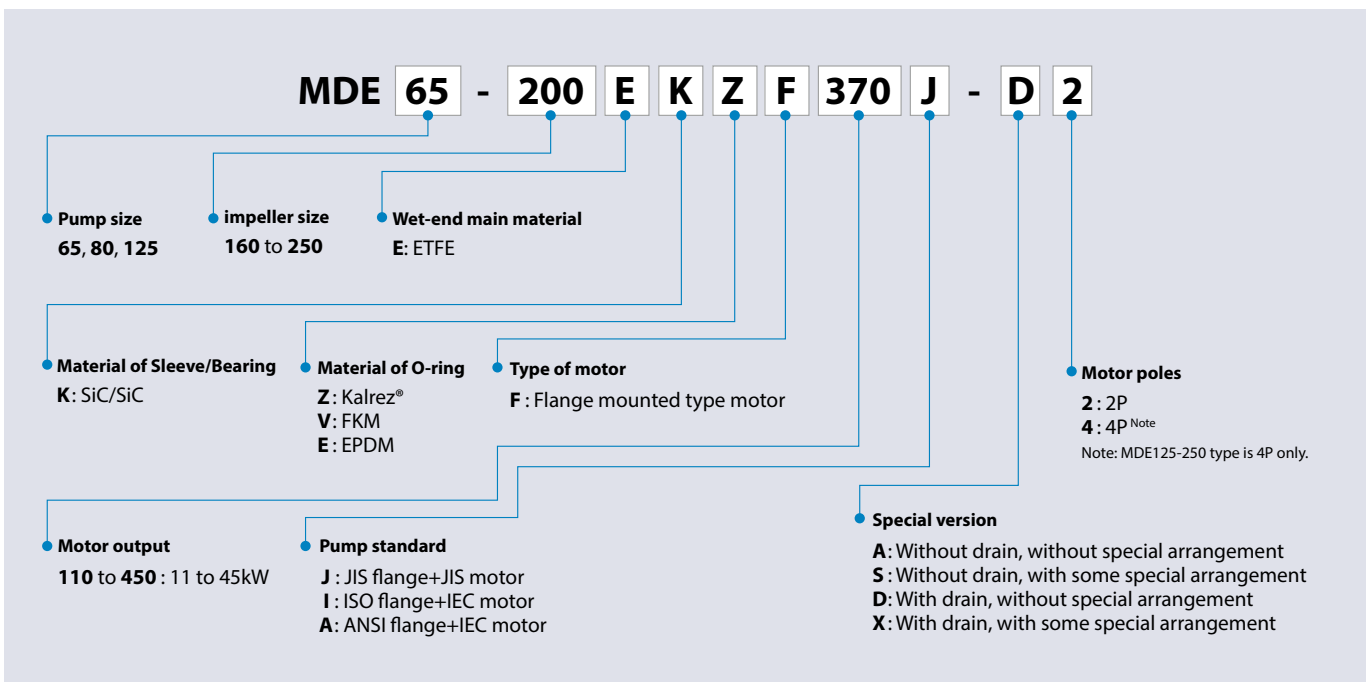
Part number	Part name	Material
1	Front casing	ETFE
2	Rear casing	PFA
3	Impeller	CFRETFE
4	Split plate	PFA
5	Magnet capsule	
6	Bearing	SiC
7	Sleeve	
8	Gasket	PTFE
9	O-Ring <sup>Note</sup>	Kalrez <sup>®</sup>

Note: FKM/EPDM are also available on request.

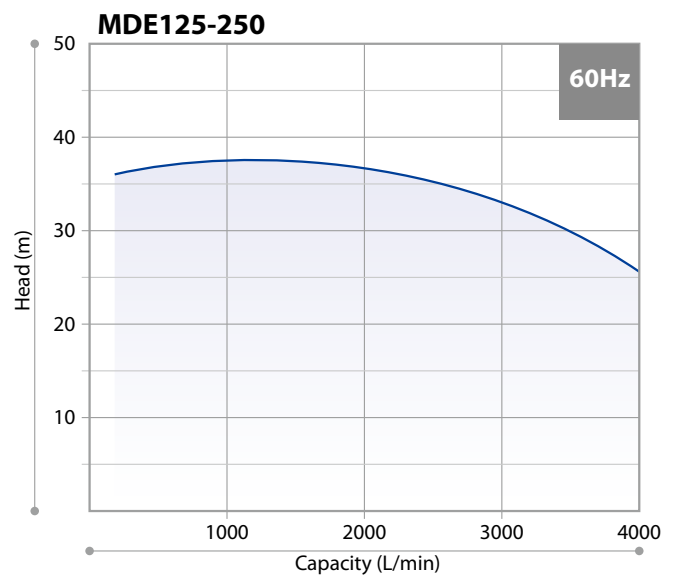
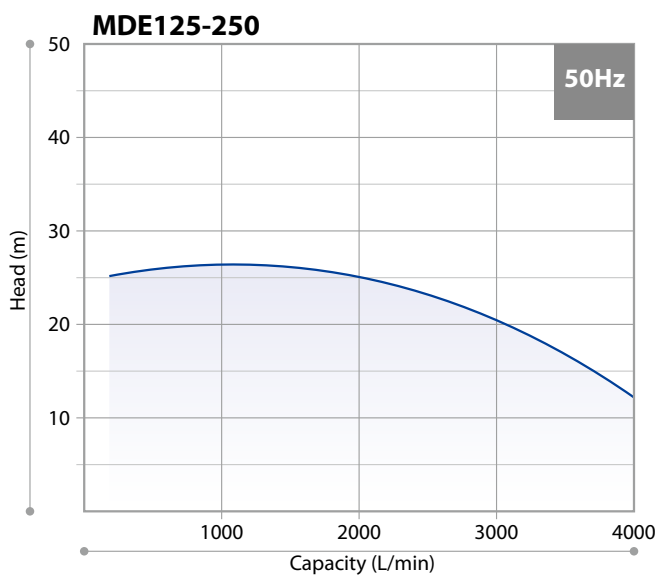
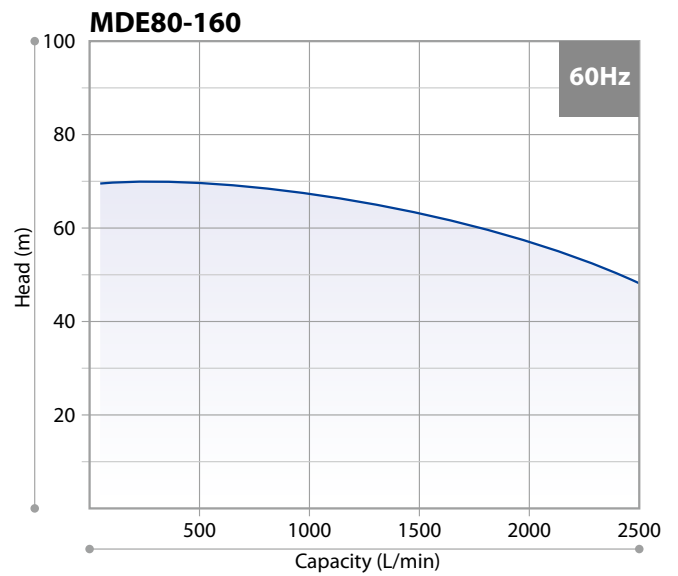
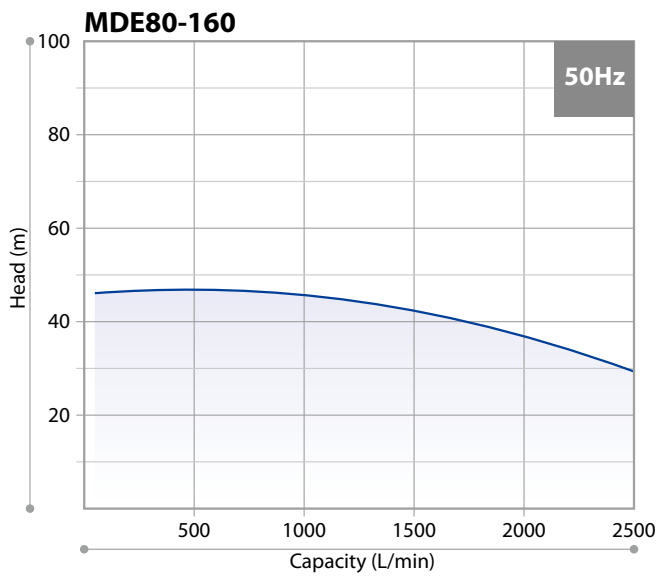
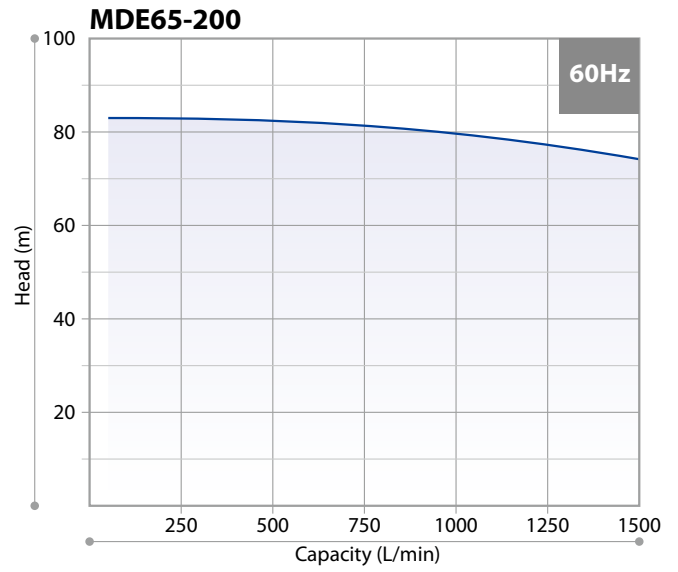
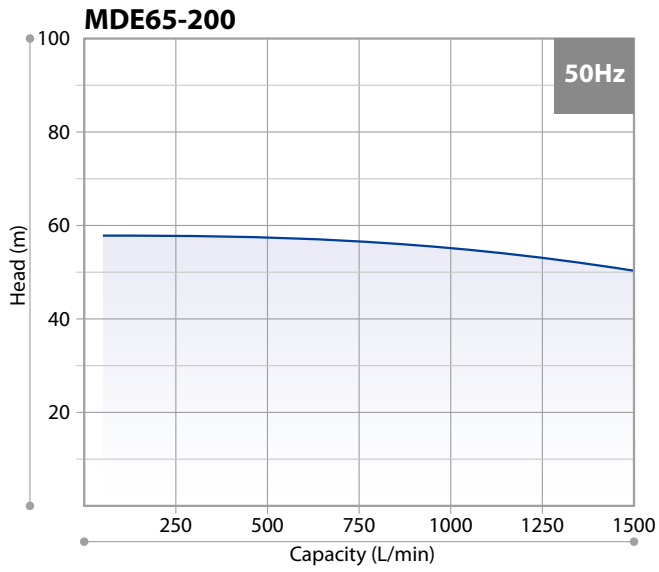
### Modular construction



### Pump identification



## Performance curves



## Specifications

Models	Nominal bore size Inlet×Outlet	50Hz		60Hz	
		Capacity L/min	Head m	Capacity L/min	Head m
<b>MDE65-200 (2P)</b>	80A×65A	833	53.0	1000	75.0
<b>MDE80-160 (2P)</b>	100A×80A	1670	38.0	2000	53.5
<b>MDE125-250 (4P)</b>	150A×125A	2400	22.5	3000	32.0

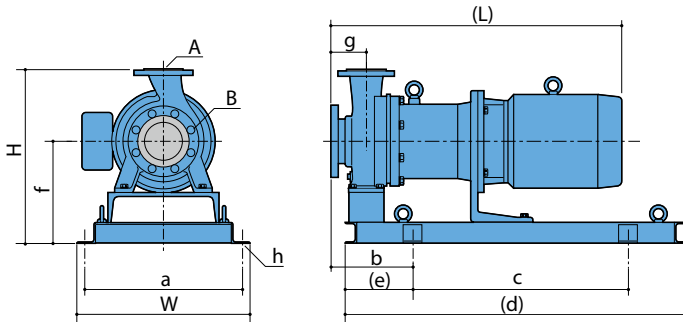
Expected performance in normal temperature, the clear water.

### Common specifications

Temperature range of liquid handled: 0 to 100°C

Allowable slurry: For this information, please contact us.

## Dimensions in mm



Type	Motor kW	W	H	(L)	a	b	c	(d)	(e)	f	g	h	A	B	Mass kg
<b>MDE65-200</b>	18.5	610	555	972	550	275	740	1200	230	355	100	4-φ27	65A	80A	275
	22			1023											355
	30			1061											445
	37			1119											515
	45														
<b>MDE80-160</b>	18.5	610	555	972	550	255	740	1200	230	355	100	4-φ27	80A	100A	280
	22			1023											355
	30			1061											445
	37			1119											515
	45														
<b>MDE125-250 (4P)</b>	11	610	645	994	550	280	740	1200	230	355	140	4-φ27	125A	150A	305
	15			1038											310
	18.5			1063											410
	22														
	30			1101											470

Note: The dimensions and mass may differ with the type of motor installed.

## Optional accessories

### Iwaki pump protector DRN series

#### Detects unusual pump operating conditions including dry-running and overload

The DRN model protects equipment (including pumps) from damage!  
 Minimizes production downtime.  
 Identifies possible causes of alarms so they can be investigated and addressed.

Multiple Input	Two analog, one digital, one temperature input and one current input
Easy operation	Equipped with EASY setup mode to remember the operation status and set the lower/upper limit values, as well as AUTO setup mode
Bar graph	Visible indication of current operating status
Logging capability	Data log feature for preventative maintenance scheduling
Communication	RS485 external communication capability



#### Specifications

Model	DRN-01	DRN-02
Amperometric range	0.5-30.00A	5.0-200.0A
Unit's source voltage	AC100-240V 50/60Hz 10VA	
Operating temperature	0-40°C	
Operating humidity	35-85%RH	

## IWAKI Process Magnetic Drive Pump series

### MDM SERIES

Magnetic drive process pumps with dry running capability

**Specifications**

- Max. discharge capacity: 833/1000 L/min
- Max. head: 74/107 m
- Main materials: CFRETFE/PFA
- Liquid temp. range: -20 to 105°C(CFRETFE), -20 to 150°C(PFA)



### MXM SERIES

Magnetic drive pumps with an excellent balance of features and performance

**Specifications**

- Max. discharge capacity: 400 L/min
- Max. head: 25/41 m
- Main materials: CFRETFE
- Liquid temp. range: -10 to 105°C



### MX SERIES

Withstands difficult operating conditions and offers high efficiency

**Specifications**

- Max. discharge capacity: 800 L/min
- Max. head: 35/36 m(MX), 22.8/23.1 m(MX-F)
- Main materials: GFRPP(MX), CFRETFE(MX-F)
- Liquid temp. range: 0 to 80°C



### SMX SERIES

Versatile self-priming magnetic drive pump with enhanced durability under abnormal operation

**Specifications**

- Max. discharge capacity: 440/520 L/min
- Max. head: 18/26 m(SMX), 16/24 m(SMX-F)
- Main materials: GFRPP(SMX), GFRPP(SMX-F)
- Liquid temp. range: 0 to 80°C



IWAKI CO., LTD. 6-6 Kanda-Sudacho 2-chome Chiyoda-ku Tokyo 101-8558 Japan TEL : (81)3 3254 2935 FAX : 3 3252 8892

IWAKI has global net work. Please find your distributor location at

[www.iwakipumps.jp](http://www.iwakipumps.jp)

European office : IWAKI Europe GmbH  
 Germany : IWAKI Europe GmbH  
 Holland : IWAKI Europe GmbH (Netherlands Branch)  
 Italy : IWAKI Europe GmbH (Italy Branch)  
 Spain : IWAKI Europe GmbH (Spain Branch)  
 Belgium : IWAKI Belgium N.V.  
 Denmark : IWAKI Nordic A/S  
 Finland : IWAKI Suomi Oy  
 France : IWAKI France S.A.  
 Norway : IWAKI Norge AS  
 Sweden : IWAKI Sverige AB  
 U.K. : IWAKI Pumps (UK) Ltd.

TEL: (49)2154 9254 0 FAX: 2154 9254 48  
 TEL: (49)2154 9254 50 FAX: 2154 9254 55  
 TEL: (31)74 2420011 FAX: (49)2154 925448  
 TEL: (39)0444 371115 FAX: 0444 335350  
 TEL: (34)93 37 70 198 FAX: 93 47 40 991  
 TEL: (45)48 24 2345 FAX: 48 24 2346  
 TEL: (33)1 69 63 33 70 FAX: 9 2742715  
 TEL: (33)1 69 63 33 70 FAX: 1 64 49 92 73  
 TEL: (47)23 38 49 00 FAX: 23 38 49 01  
 TEL: (46)8 511 72900 FAX: 8 511 72922  
 TEL: (44)1743 231363 FAX: 1743 366507

( ) Country codes

U.S.A. : IWAKI America Inc.  
 Argentina : IWAKI America Inc. (Argentina Branch)  
 Brasil : IWAKI Do Brasil Comercio De Bombas Hidraulicas LTDA.  
 Singapore : IWAKI Singapore Pte Ltd.  
 Indonesia : IWAKI Singapore (Indonesia Office)  
 Malaysia : IWAKI Sdn. Bhd.  
 Australia : IWAKI Pumps Australia Pty Ltd.  
 Hong Kong : IWAKI Pumps Co., Ltd.  
 China : GFTZ IWAKI Engineering & Trading Co., Ltd.  
 : IWAKI Pumps (Shanghai) Co., Ltd.  
 Korea : IWAKI Korea Co., Ltd.  
 Taiwan : IWAKI Pumps Taiwan Co., Ltd.  
 Thailand : IWAKI (Thailand) Co., Ltd.

TEL: (1)508 429 1440 FAX: 508 429 1386  
 TEL: (54)11 4745 4116  
 TEL: (55)19 3244 5900 FAX: 19 3244 5900  
 TEL: (65)6316 2028 FAX: 6316 3221  
 TEL: (62)21 6906606 FAX: 21 6906612  
 TEL: (60)3 7803 8807 FAX: 3 7803 4800  
 TEL: (61)2 9899 2411 FAX: 2 9899 2421  
 TEL: (852)2607 1168 FAX: 2607 1000  
 TEL: (86)20 84350603 FAX: 20 84359181  
 TEL: (86)21 6272 7502 FAX: 21 6272 6929  
 TEL: (82)2 2630 4800 FAX: 2 2630 4801  
 TEL: (886)2 8227 6900 FAX: 2 8227 6818  
 TEL: (66)2 322 2471 FAX: 2 322 2477

**Caution for safety use:** Before use of pump, read instruction manual carefully to use the product correctly.

Actual pumps may differ from the photos. Specifications and dimensions are subject to change without prior notice. For further details please contact us.

**Legal attention related to export.**

Our products and/or parts of products fall in the category of goods contained in control list of international regime for export control. Please be reminded that export license could be required when products are exported due to export control regulations of countries.

The posting and copying from this catalogue without permission is not accepted firmly.