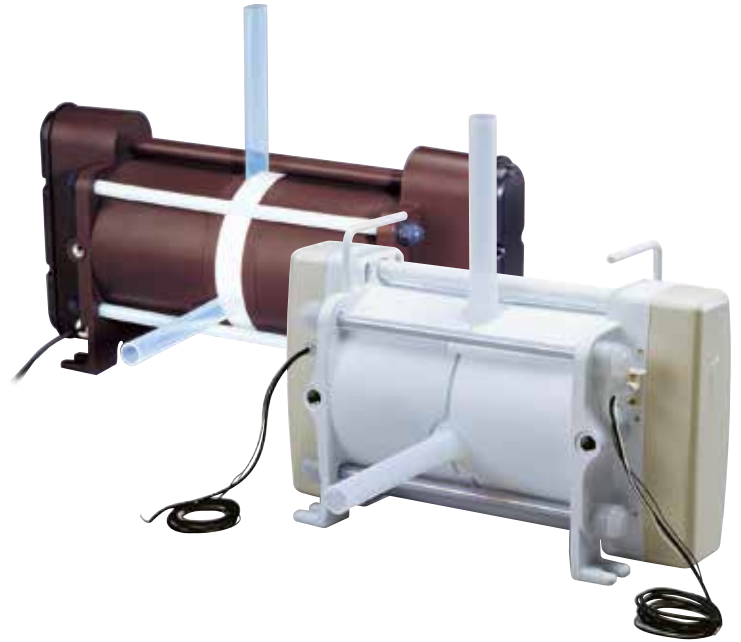


IWAKI  
PNEUMATIC  
DRIVE BELLOWS  
PUMPS



# For high purity chemical handling applications in semiconductor processing applications

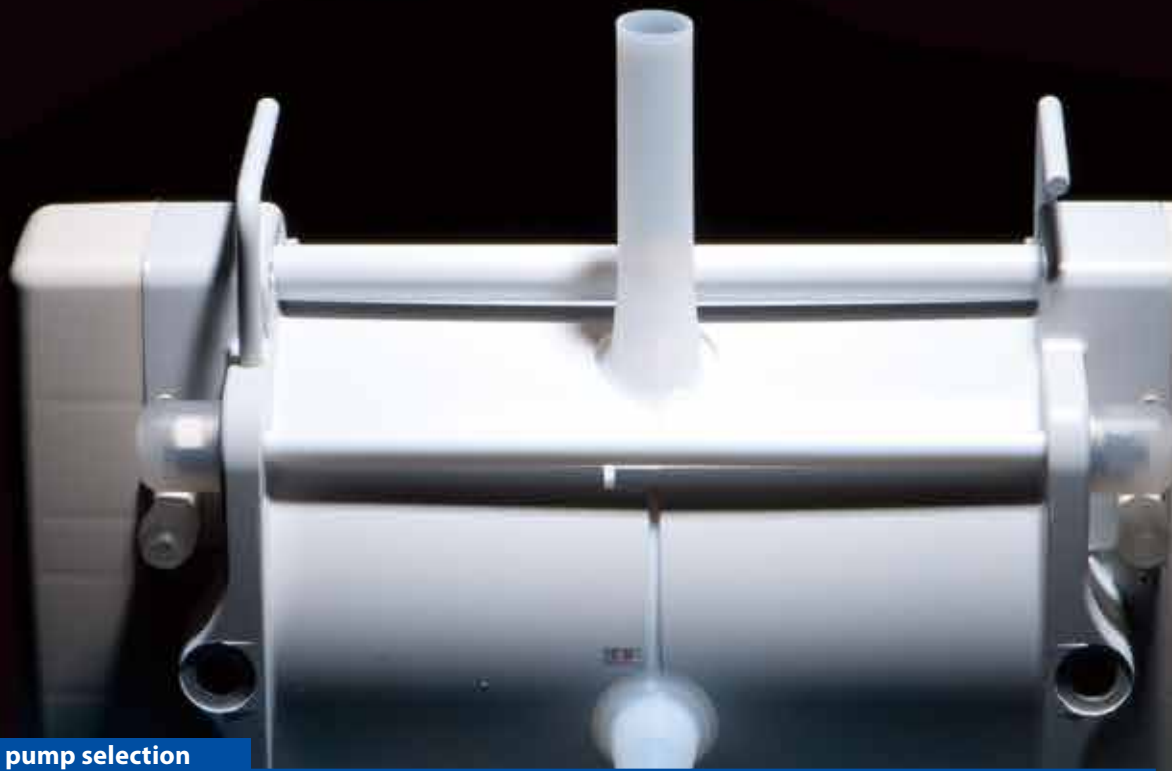
The F-Series includes pneumatic drive bellows pumps that are designed for use in the semiconductor manufacturing processes.

Iwaki introduced the first designs over 20 years ago and has continually developed new products to keep up with rapidly changing market needs.

With over 20 different models available the quality and performance of our products has made them the preferred solution by device manufactures all over the world.

Their quality and performance are recognized and highly rated by device manufacturers all over the world.

We offer not only pump solutions, but also accessories including controllers, dampeners, and liquid chemical supply systems that have been developed to compliment a comprehensive portfolio of quality equipment for wet process and surface preparation applications.



## Guideline for pump selection

Max. discharge capacity (L/min)	Max. supplied air pressure (MPa)	Model	Max. air consumption (NL/min)	Temperature range (°C)	Main materials	
					PTFE	PFA
100	0.5	FS-H	1210	5-180	○	○
100	0.7	FS-N	1495	5-60	○	○
80	0.5	FW	820	10-100	○	○
40	0.5	FW-H	480	10-180	○	○
22	0.3	FF	180	5-100	○	○
40	0.2	FF-H	200	20-180	○	○
40	0.4	FA	200	5-100	○	○

\*Please check the specifications of each pump for liquid temperature and maximum supply air pressure.

## Application

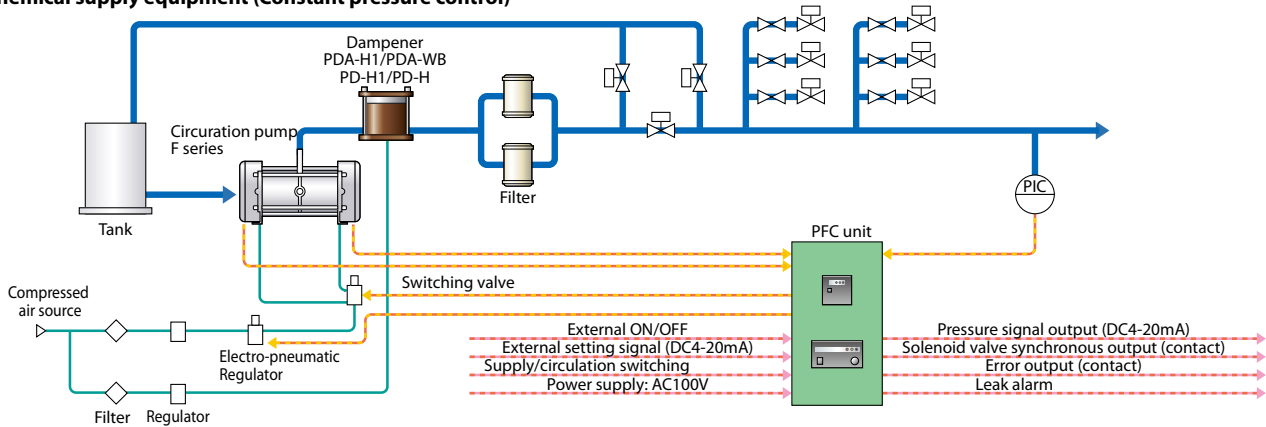
☉ Usable ○ Usable depend on condition

Model		FS-H	FS-N	FW	FW-H	FF	FF-H	FA	CFD
Wafer wet-bench	Cleaning(Batch process)	☉	☉	☉	☉	☉	☉	☉	—
	Cleaning(Single wafer)	☉	☉	☉	☉	☉	☉	☉	—
Chemical supply equipment		☉	☉	☉	—	○	—	○	—
CMP process	Mixed-liquid circulation/Transfer	☉	☉	☉	—	○	—	○	—
	Cleaning	☉	☉	☉	—	☉	—	☉	—
Chemical replenishing equipment		—	—	—	—	—	—	—	☉

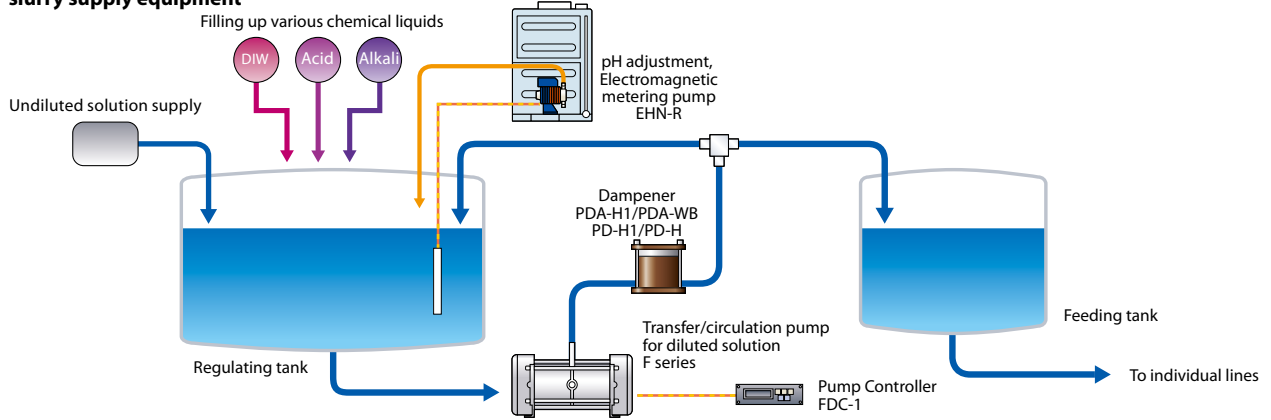
\*Liquid temperature conditions vary depending on the pump specifications.

Example of installation

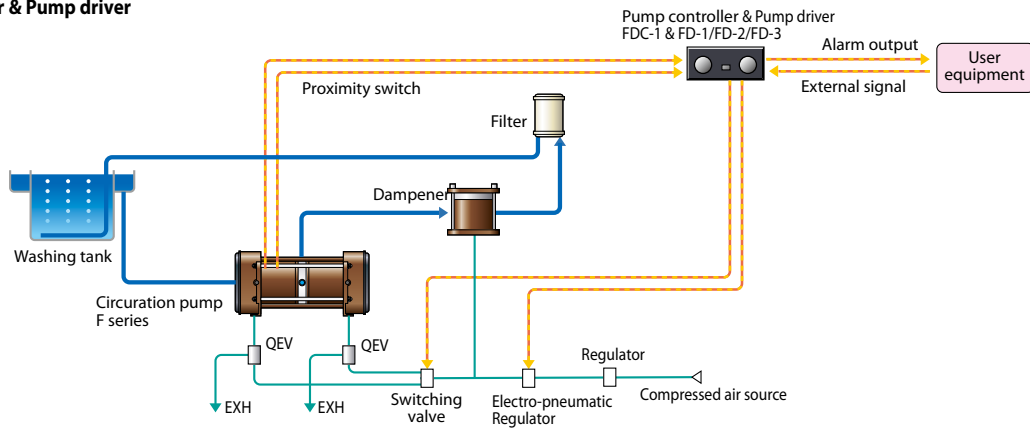
Chemical supply equipment (Constant pressure control)



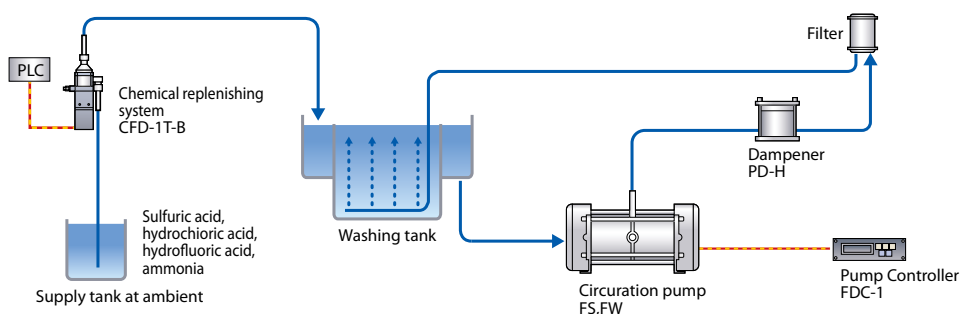
CMP slurry supply equipment



Pump controller & Pump driver



Wafer wet-bench



# FS-H Series

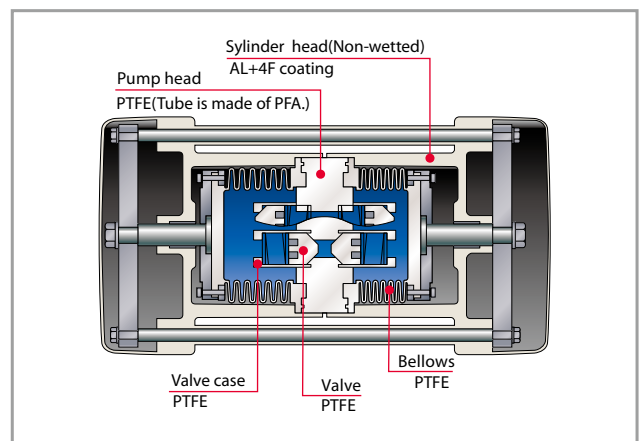
## A small, lightweight and cost effective solution



FS-30HT

- Using a higher stroke rate (240 spm maximum) has resulted in a reduction in size, weight and cost as well as reduced pulsation. Note: The maximum stroke rates are dependent on model and application; please refer to the specification table for details.
- All liquid contact components are constructed of high purity fluoro resin materials. The exterior of the units are also coated in fluoro resin so that no metallic components are exposed. FS-H pumps also utilize our own shaft seal design (patent pending) resulting in a marked reduction in particle generation.
- The pumps are rated for liquid temperatures ranging from 5 - 180 °C with discharge pressure to 0.45 MPa. Applications include wet process circulation and CMP processes, as well as chemical distribution feed systems.
- The FS-H body design eliminates the need for periodic tightening of the stud bolts. External access to the proximity sensors results in reduced maintenance and down time.
- The pump uses a proximity sensor drive system which opens/closes an external air solenoid valve providing easy performance control capabilities that are compatible with a variety of controller options.

### Construction and materials



### Pump identification

**FS - 15 H T1 - 01**

● **Series code**

Iwaki pneumatic drive bellows pump  
FS series

● **Pump size**

**15** : Max. discharge capacity 15L/min  
**30** : Max. discharge capacity 30L/min  
**60** : Max. discharge capacity 55L/min

● **Special specification**

**Without code** : Standard specification  
**01** : Special specification (01,02 ...)

● **Sealing structure of pump head/bellows**

**T1** : Tube connection  
(suction opening / discharge opening) / Bellows separation type  
**T2** : Tube connection  
(suction opening / discharge opening) / Welded one-piece structure

● **Liquid temperature**

**H** : High-liquid temperature(5 -180°C)

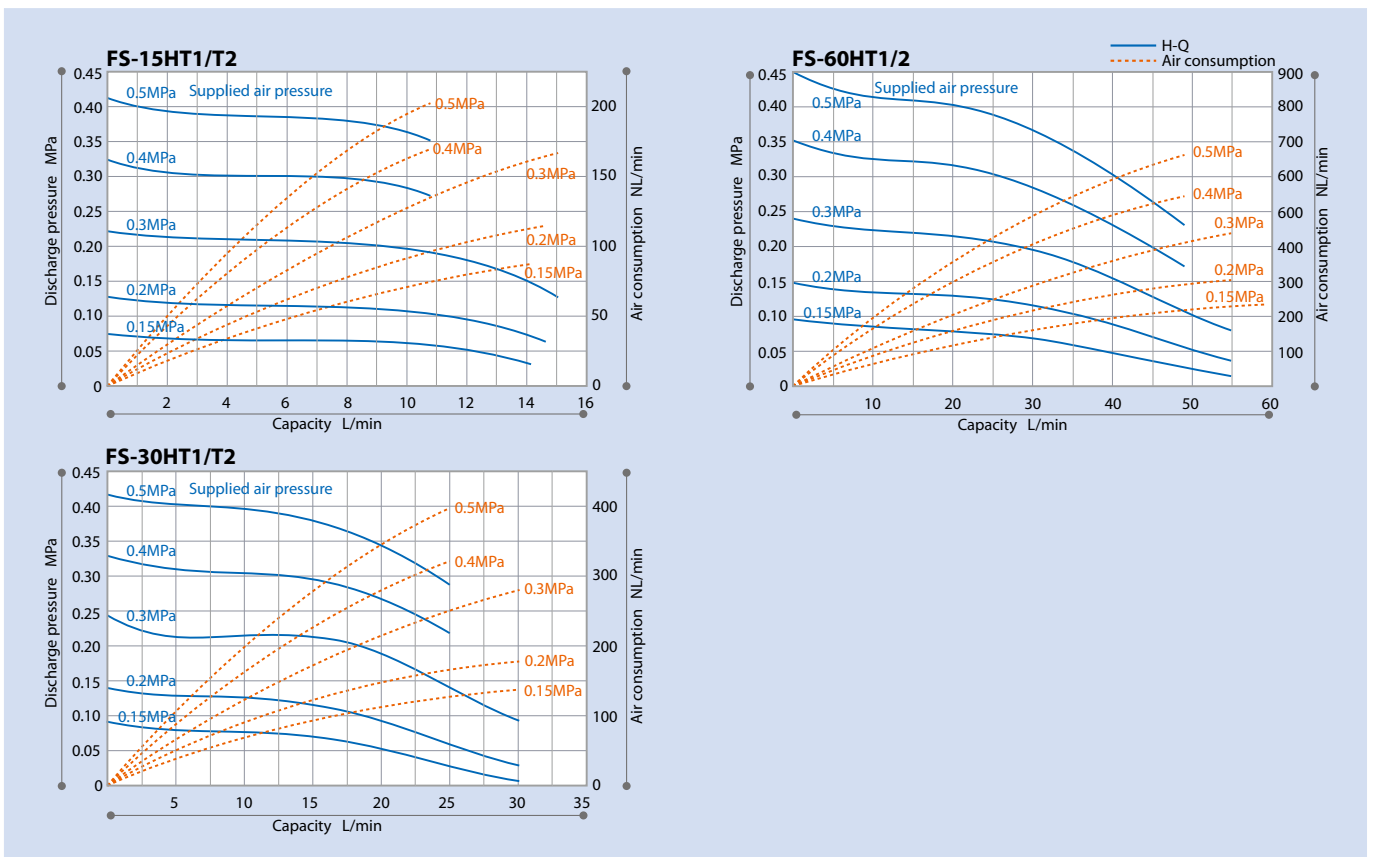


**Specification**

Model		FS-15HT1/T2			FS-30HT1/T2			FS-60HT1/T2		
Max. discharge capacity	L/min	15			30			55		
Air supply pressure range	MPa	0.15 – 0.5	0.15 – 0.3	0.15 – 0.2	0.15 – 0.5	0.15 – 0.3	0.15 – 0.2	0.15 – 0.5	0.15 – 0.3	0.15 – 0.2
Liquid temperature range	°C	5 – 50	51 – 100	101 – 180	5 – 50	51 – 100	101 – 180	5 – 50	51 – 100	101 – 180
Max. air consumption	NL/min	200	160	110	370	280	170	670	440	300
Max. stroke speed*	spm	240			220			200		
Pump connection size		1/2" PFA tube			ø19xø16mm PFA tube			ø25xø22mm PFA tube		
Supply air connection size					Rc1/4			Rc3/8		
Ambient temperature	°C				0 – 40					
Drive system					By proximity switch					

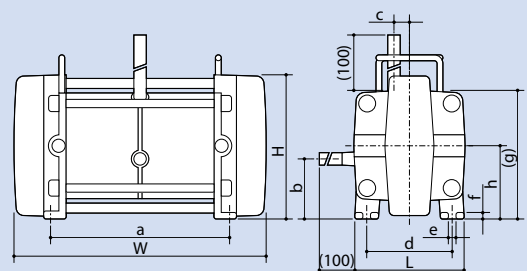
\*180 spm maximum with feed air pressures between 0.3 and 0.5 MPa.  
 Note: Max. discharge capacity shows when pumping clear water at 20°C.

**Performance curves**



**Dimensions in mm**

Model	W	L	H	a	b	c	d	e	f	g	h
FS-15HT1/T2	315	120	166	213	77	15.5	96	10	8	144	84
FS-30HT1/T2	390	151	208	272	93	23	115	10	9	180	105
FS-60HT1/T2	441	194	251	317	107	27	152	12	11	224	127



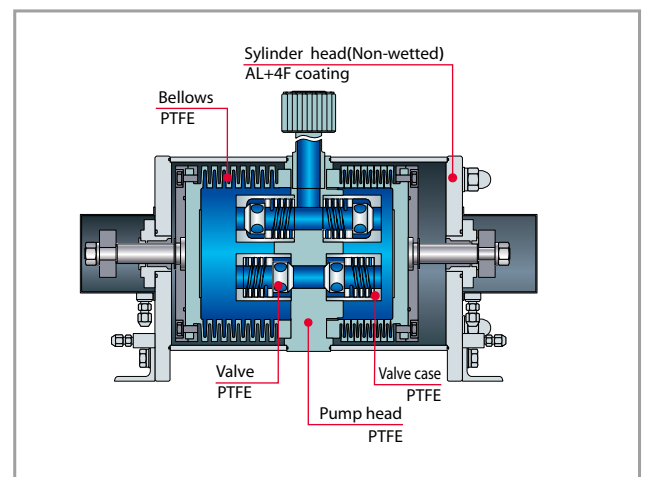
# FS-100HT2

## Flow and temperature capabilities offer improved process efficiencies

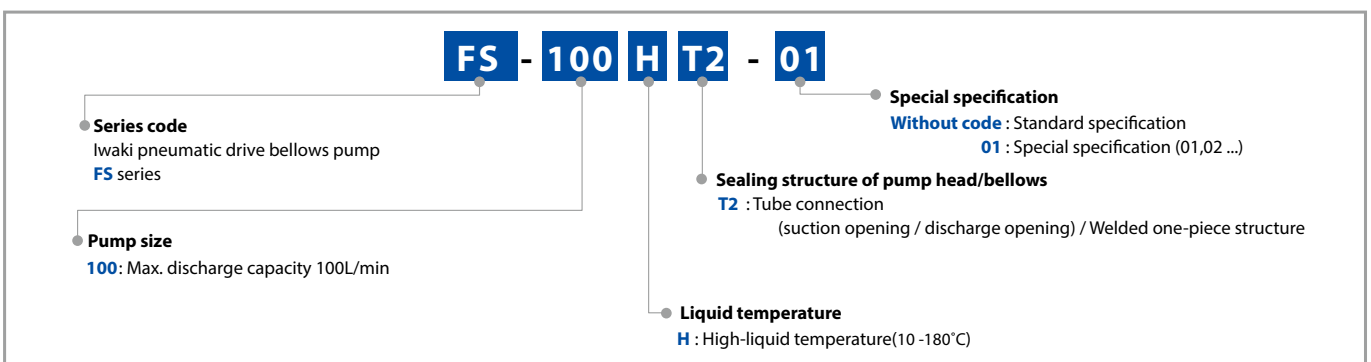


- Maximum flow rate of up to 100 L/min with 180°C liquid. This allows delivery of CARO (SPM) or H3PO4 at a flow rate 1.8 times higher than our existing pumps (55 L/min).
- Higher flow rates improve cleaning efficiency and removal of containments during wafer processing. Cleaning times are also reduced in systems with multiple processing lines.
- In addition to the use of fluoroplastic wet ends (PTFE and PFA), a fluorine coating on the pump's outer surfaces offers the best resistance to vapors from acid, alkali and hydrogen peroxide chemistries used in semiconductor manufacturing.
- Optimization of design has resulted in reduced weight of about 15% of our existing 80-100L models making installation and replacement work easier.
- The model adopts a sensor drive system that switches the solenoid valve using the proximity switch built into the pump. A leak sensor is also included as standard equipment.

### Construction and materials



### Pump identification





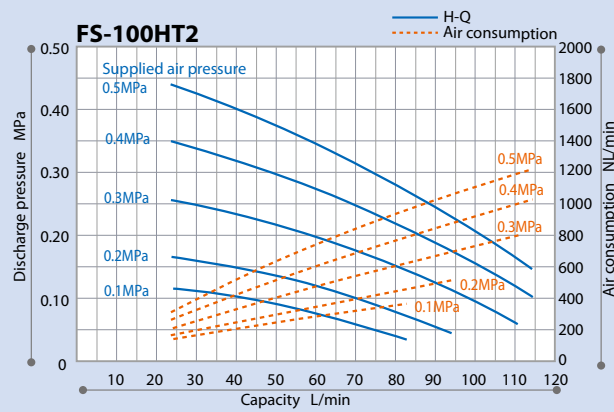


### Specification

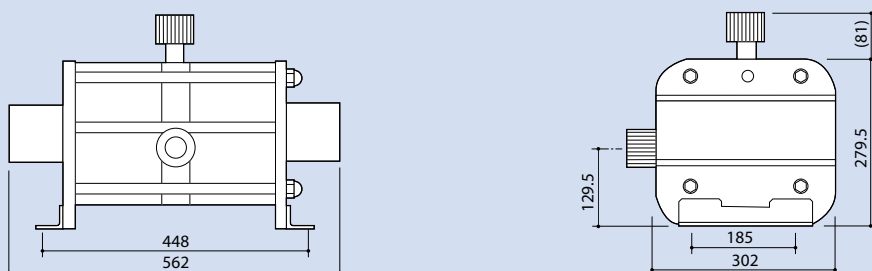
Model	FS-100HT2		
Max. discharge capacity	L/min	100	
Air supply pressure range	MPa	0.15 - 0.5	0.15 - 0.4
Liquid temperature range	°C	10 - 100	101 - 140
Max. air consumption	NL/min	1210	
Max. stroke speed	spm	120	
Pump connection size	1-1/4" fittings (SUPER 300-type PILLAR FITTINGS manufactured by Nippon Pillar Packaging Co., Ltd.)		
Supply air connection size	Rc 1/2		
Allowable ambient temperature	°C	0 - 60	
Drive system	By proximity switch		

Note: Max. discharge capacity shows when pumping clear water at 20°C.

### Performance curves



### Dimensions in mm



# FS-N Series

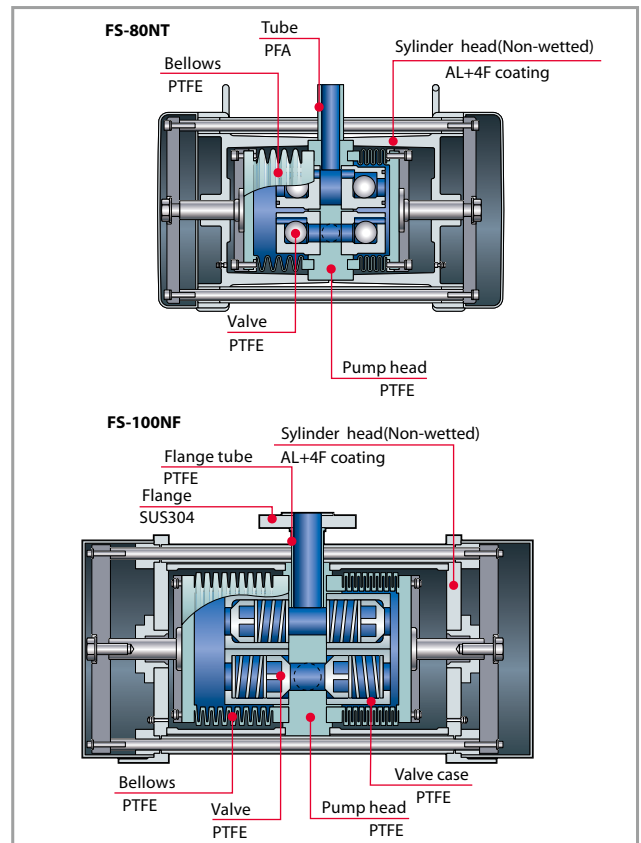
## Max 100L/min. High flow design for chemical distribution applications



FS-100NF

- Perfectly suited to high flow & pressure chemical distribution requirements.
- The high stroke rate (Max 200 SPM:FS-80NT) provides for a compact, lightweight and lower cost option without sacrificing flow and pressure capability.
- All liquid contact materials are made of high purity fluororesin resulting in contamination-free construction. Our unique patented shaft seal (FS-80NT...PAT.) also dramatically reduces particle generation.
- The pump utilizes a built in proximity sensor driven control system to switch an external air solenoid valve. Leak sensors are also included as standard equipment.
- Seal welded pump head and bellows eliminate leakage.

### Construction and materials



### Pump identification

**FS - 80 N T - 01**

- **Series code**  
Iwaki pneumatic drive bellows pumps  
FS series
- **Pump size**  
80 : Max. discharge capacity 80 L/min  
100 : Max. discharge capacity 100 L/min
- **Liquid temperature**  
N : 5 - 60 °C
- **Special specification**  
Without code : Standard specification  
01 : Special specification (01,02 ...)
- **Pump connection**  
T : Tube connection (FS-80N standard)  
F : Flange connection (FS-100N standard)



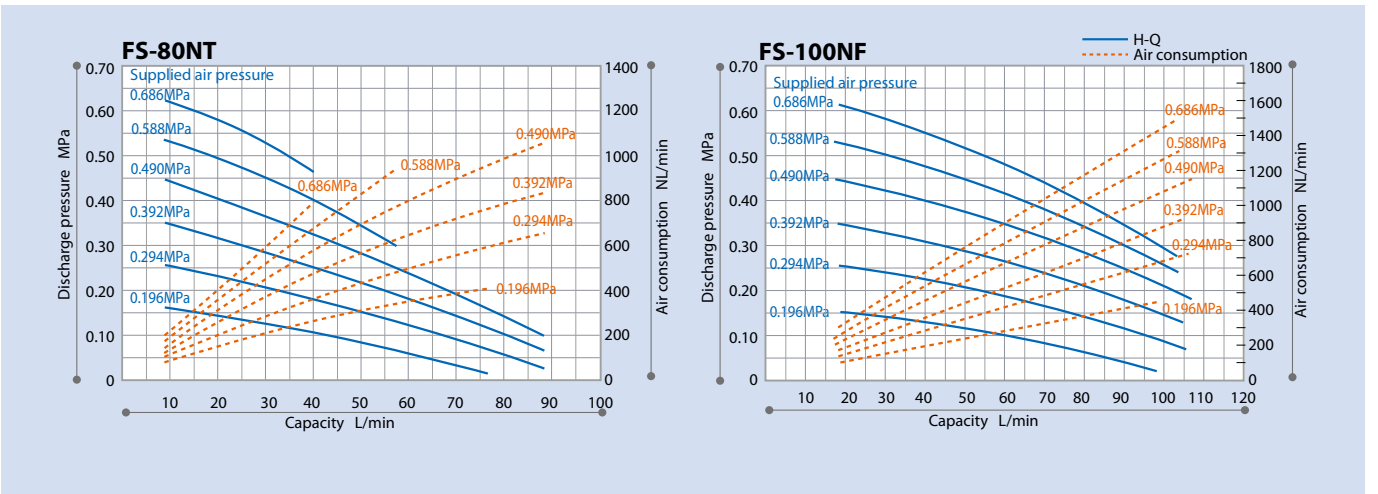


**Specification**

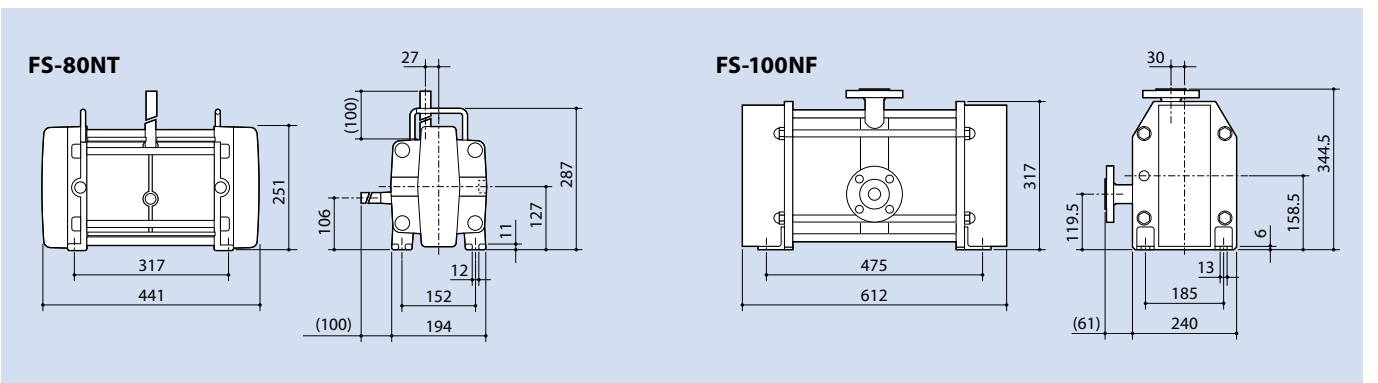
Model	FS-80NT			FS-100NF	
Max. discharge capacity	L/min	80			100
Air supply pressure range	MPa	0.25 - 0.5	0.5 - 0.6	0.6 - 0.7	0.2 - 0.7
Liquid temperature range	°C	5 - 60			5 - 50
Max. air consumption	NL/min	1029	938	787	1495
Max. stroke speed	spm	200	150	110	100
Self-priming height limit		1 m on more			1 m on more
Pump connection size		1" PFA tube			25A Flange
Wet-end materials		PTFE, PFA			PTFE, PFA
Supplied air connection size		Rc3/8			Rc1/2
Ambient temperature	°C	0 - 40			
Drive system		By proximity switch			

Note: Max. discharge capacity shows when pumping clear water at 20°C.

**Performance curves**



**Dimensions in mm**



# FW/FW-H Series

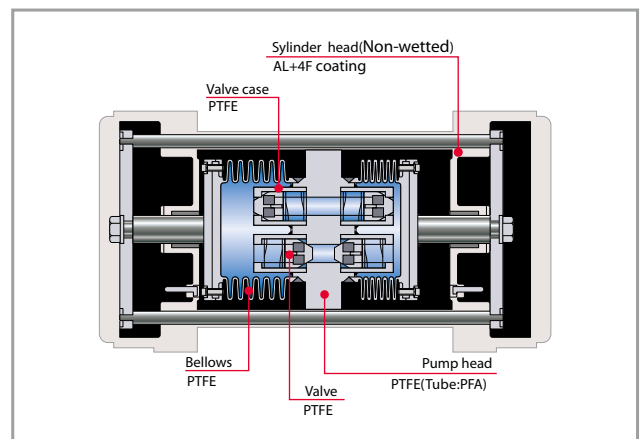
## Robust bellows design provides for high pressure capability and extended service life

- The use of a thick bellows increases the pumps discharge pressure rating to as high as 0.45 MPa maximum. In addition, the bellows have three to four times longer service life than a diaphragm. This results lower case a substantially reduced downtime.
- This design is commonly used for chemical feed, the FW series can be used in high pressure and medium temperature (10 - 100 °C) cleaning systems as well as for the circulation of CMP slurry liquids. The FW-H with its higher temperature capability ( 10 - 180 °C) is ideal for chemical circulation in wafer cleaning applications.
- Easily adaptable fitting capability, the internally formed PFA suction and discharge tubes prevent the accumulation of particles.
- When connected to a special controller, the discharge can be monitored and controlled easily.
- The pump utilizes a built in proximity sensor driven control system to switch an external air solenoid valve. Leak sensors are also included as standard equipment.



FW-20HT2

### Construction and materials



### Pump identification

**FW - 20 H T1 - 01**

- **Series code**  
Iwaki pneumatic drive bellows pump  
FW series
- **Pump size**  
20 : Max. discharge capacity 20L/min  
40 : Max. discharge capacity 40L/min  
80 : Max. discharge capacity 80L/min

- **Special specification**  
Without code : Standard specification  
01 : Special specification (01,02 ...)
- **Sealing structure of pump head/bellows**  
T1 : Tube connection  
(suction opening / discharge opening) / Bellows separation type  
T2 : Tube connection  
(suction opening / discharge opening) / Welded one-piece structure
- **Liquid temperature**  
Without code : Medium-liquid temperature(10 -100°C)  
H : High-liquid temperature(10 -180°C)

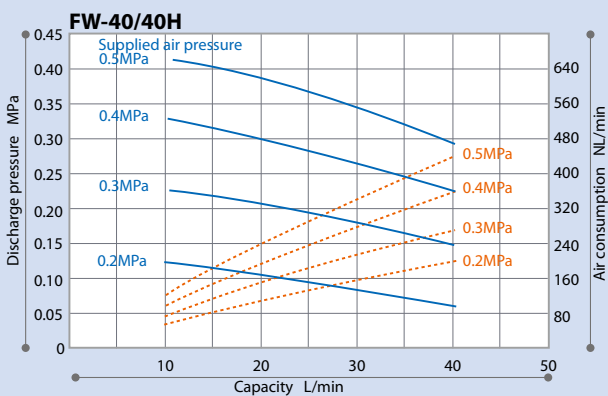
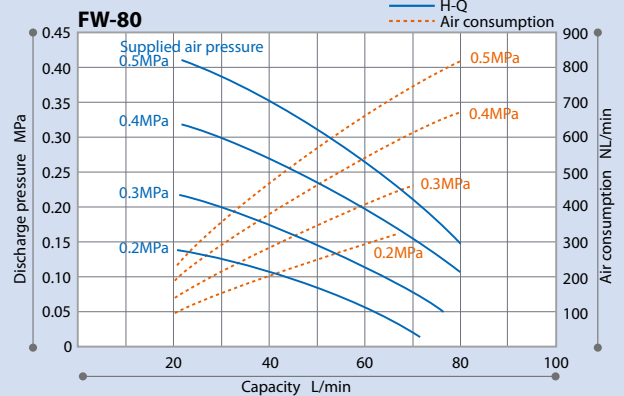
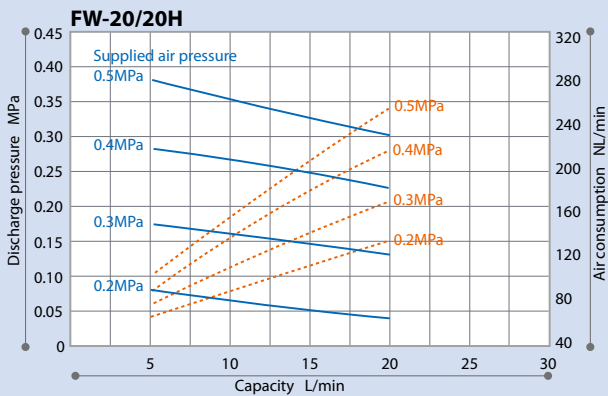


**Specification**

Model	FW-20	FW-40	FW-80	FW-20H			FW-40H			
Max. discharge capacity	L/min	20	40	80	20			40		
Air supply pressure range	MPa	0.2 - 0.5			0.2 - 0.5	0.15 - 0.3	0.15 - 0.2	0.2 - 0.5	0.15 - 0.3	0.15 - 0.2
Liquid temperature range	°C	10 - 100	10 - 100	10 - 80	10 - 100	101-150	151-180	10 - 100	101-150	151-180
Max. air consumption	NL/min	330	480	820	330	200	140	480	300	220
Max. stroke speed	spm	120	80	80	20			80		
Pump connection size		ø19×ø16mm PFA tube		ø25×ø22mm PFA tube	ø19×ø16mm PFA tube			ø25×ø22mm PFA tube		
Supplied air connection size		Rc1/4	Rc3/8	Rc1/2	Rc1/4			Rc3/8		
Ambient temperature	°C	0 - 40								
Drive system		By proximity switch								

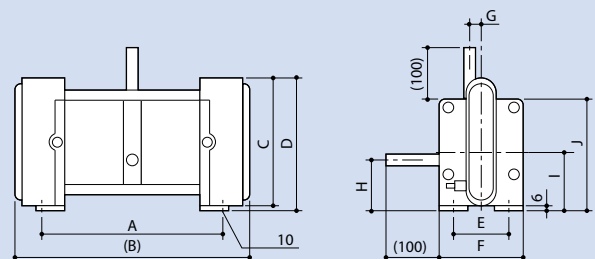
Note: Max. discharge capacity shows when pumping clear water at 20°C.

**Performance curves**



**Dimensions in mm**

Model	A	(B)	C	D	E	F	G	H	I	J
FW-20/20H	347	458	218	221	105	140	22	90	112	182
FW-40/40H	435	542	240	250	143	183	25.5	102	130	220
FW-80	464	600	302	317	185	240	27	119.5	158.5	317



# FF/FF-H Series

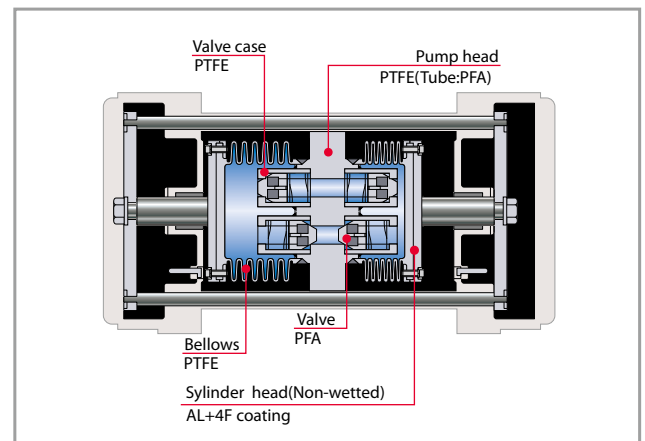
## Energy efficient design consumes less air

- The FF series is designed for use with medium temperature liquids (Al cylinder type: 5 to 100°C, PVC cylinder type: 5 to 50°C) and the FF-H series is designed for temperatures ranging from 20 to 180°.
- All liquid contact components are constructed of high purity fluoro resin materials with no metal or elastomers. The bellows are welded to the center eliminating leaks associated with heat cycles. The efficient design minimizes dead air volume surrounding the bellows to minimize air consumption.
- Shaft packing is easily accessible externally, no need to disassemble the pump for replacement.
- Suction and discharge fluid connections are PFA tubes and for FF models PFA tubes with special fittings are available.
- The pump utilizes a built in proximity sensor driven control system to switch an external air solenoid valve. Leak sensors are also included as standard equipment.

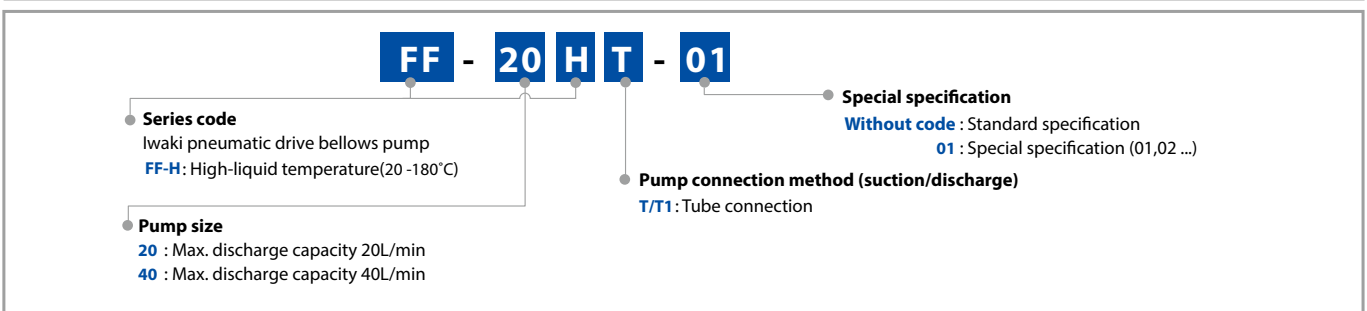
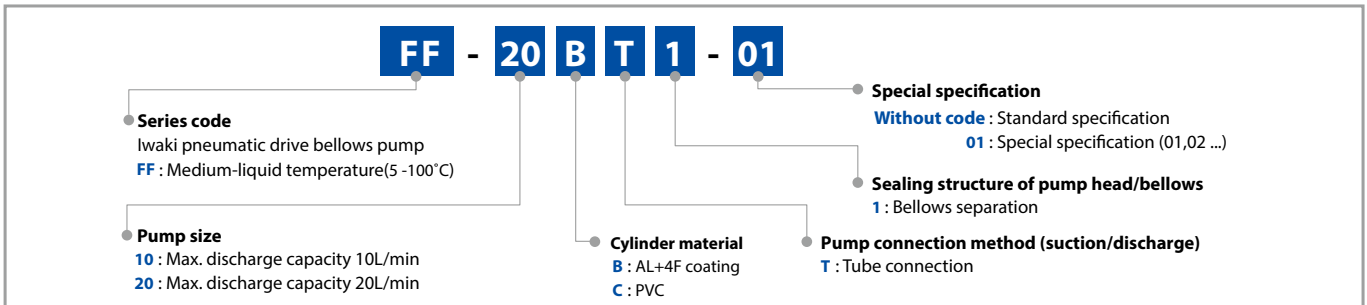


FF-20HT

### Construction and materials



### Pump identification



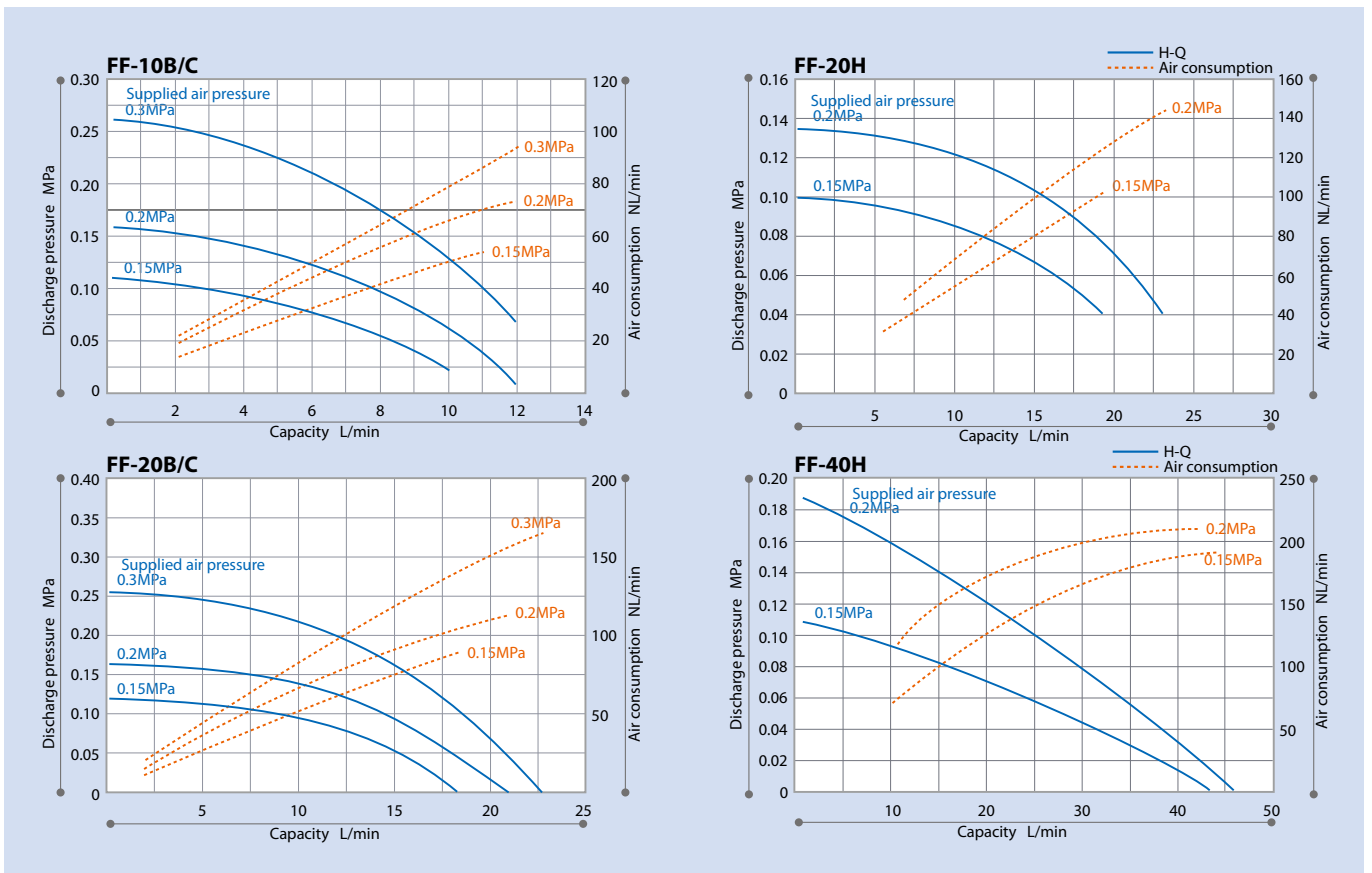


**Specification**

Model		FF-10BT/CT1	FF-20BT/CT1	FF-20HT	FF-40HT1
Max. discharge capacity	L/min	10	22	20	40
Air supply pressure range	MPa	0.15- 0.3		0.15 - 0.2	
Liquid temperature range	°C	B type : 5-100 C type : 5 - 50*		20 -180	
Max. air consumption	NL/min	90	180	150	200
Max. stroke speed.	spm	120		120	80
Pump connection size		1/2" PFA tube	3/4" PFA tube	3/4" PFA tube	ø25 x ø22mm PFA tube
Supplied air connection size		Rc1/4		Rc1/4	Rc3/8
Ambient temperature	°C	0-40			
Drive system		By proximity switch			

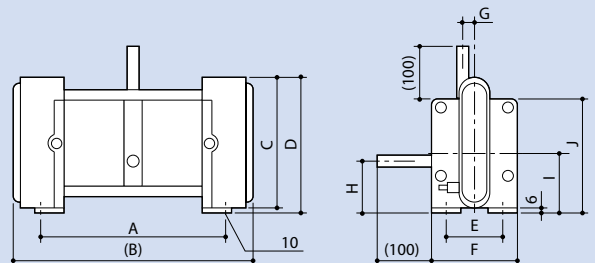
\* The cylinder of the "B" type is made of aluminum and tetrafluoro resin and that of the "C" type is of PVC.  
 Note: Max. discharge capacity shows when pumping clear water at 20°C.

**Performance curves**



**Dimensions in mm**

Model	A	(B)	C	D	E	F	G	H	I	J
FF-10	266	361	188	191	84	114	14.5	82	97	154
FF-20/20H	288	400	218	221	105	140	20	91/80	112	182
FF-40H	431	533	240	250	143	183	23.5	97	130	220





# FA Series

## Designs for circulating moderate temperature fluids



FA-2



FA-40VEW

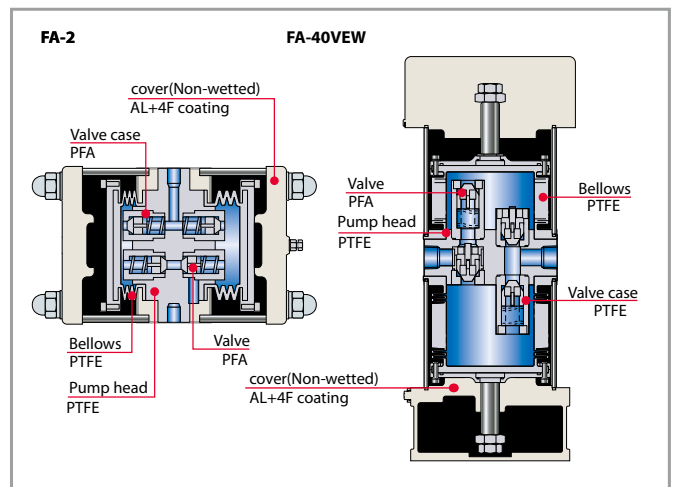
■ There are two standard models available in the FA series; the FA-2E, a horizontal type for lower flow requirements and the FA-40VEW, a vertical type for a higher flow rates. A typical application for the FA-2E is in spray system for single wafer processing while the FA-40VEW is suitable for batch cleaning of 200/300 mm wafers.

■ The FA-40VEW is designed for a long service life and uses a robust bellows design suitable for continuous operation at higher discharge pressures.

■ Discharge rates can be easily monitored and controlled when used with a dedicated controller

■ The pump utilizes a built in proximity sensor driven control system to switch an external air solenoid valve. Leak sensors are also included as standard equipment.

### Construction and materials



### Pump identification

**FA - 2 E - 1 - 01**

● **Series code**  
Iwaki pneumatic drive bellows pump  
FA series

● **Pump size**  
2 : Max. discharge capacity 2L/min  
40 : Max. discharge capacity 40L/min

Electrodes : Leak detector

● **Special specification**

**Without code** : Standard specification  
**01** : Special specification (01,02 ...)

● **Pump drive system**

■ **FA-2**

-1 : Air pulse timer switching valve system+Electrodes  
E-1 : Controller system+Electrodes

■ **FA-40**

VEW : Controller system+Electrodes  
Pump head and bellows welded into one piece



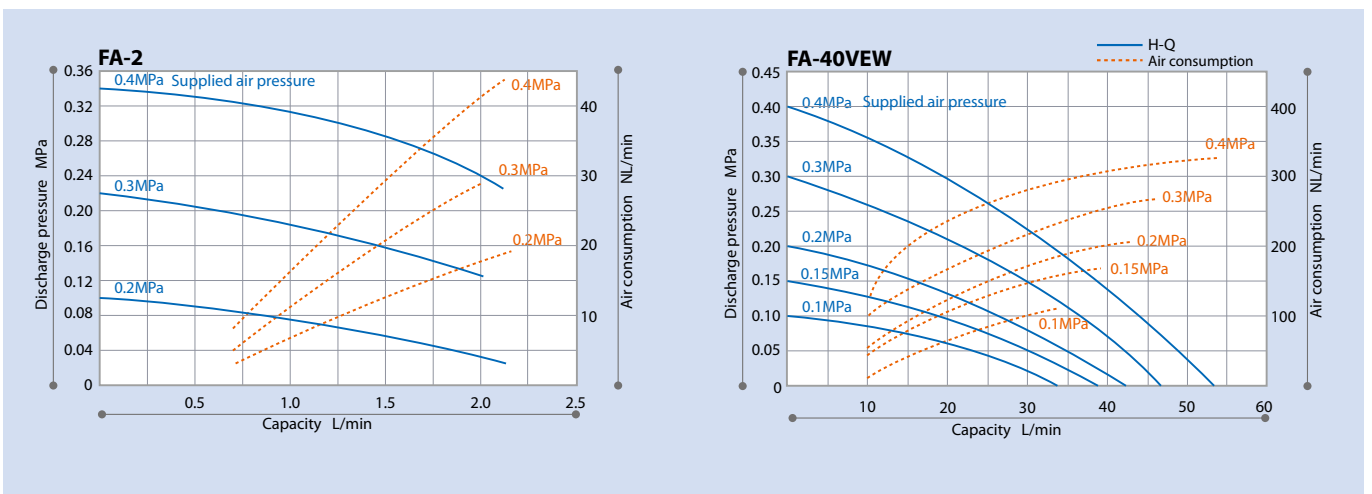


**Specification**

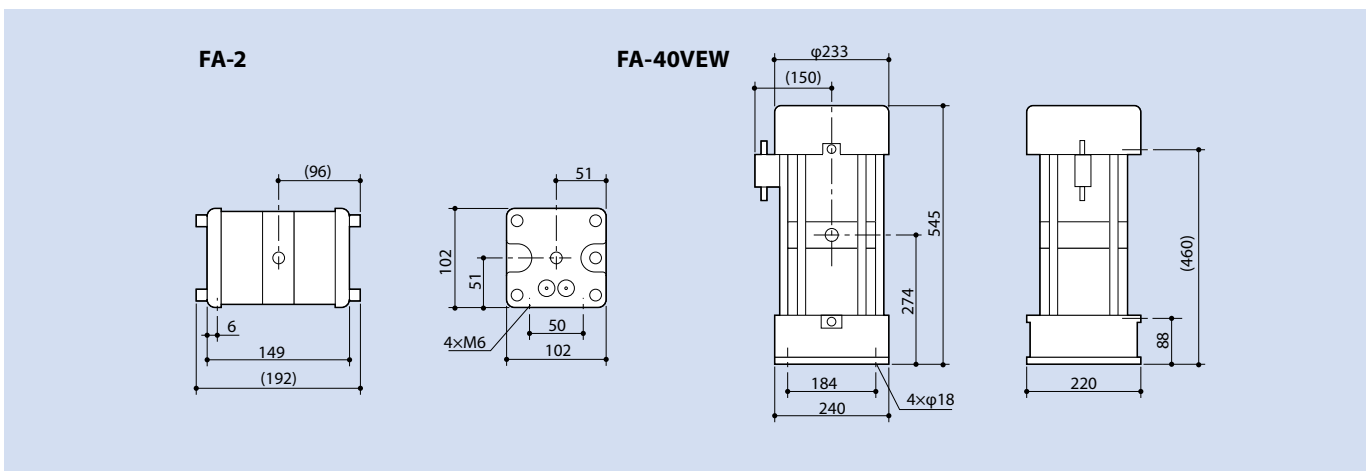
Model		FA-2E-1	FA-40VEV
Max. discharge capacity	L/min	2	40
Max. supplied air pressure	MPa	0.4	
Liquid temperature range	°C	5 - 100	
Max. air consumption	NL/min	50	200
Max. stroke speed	spm	150	80
Pump connection size		Rc1/8	Rc1
Supplied air connection size		Rc1/4	Rc3/8
Ambient temperature	°C	0 - 40	
Drive system		By proximity switch	

Note: Max. discharge capacity shows when pumping clear water at 20°C.

**Performance curves**



**Dimensions in mm**



# Option

## ■ Dampener

The installation of a dampener on the discharge side of the pump will reduce pulsation and prevent particle release through filters as well as from pipe vibration.

### Pulse dampeners PD-H (for wet use)

#### For the FS-H only

- A low cost and compact dampener.
- Liquid inside the bellows can be easily drained.
- A leak sensor is included as a standard.



### Pulse dampeners PD-H1

FF FF-H FA

- No automatic pressure adjustment.
- The PD-H1 is a medium-pressure design for use with FF, FF-H and FA pumps.



\* Models with leak sensors are available through special order.

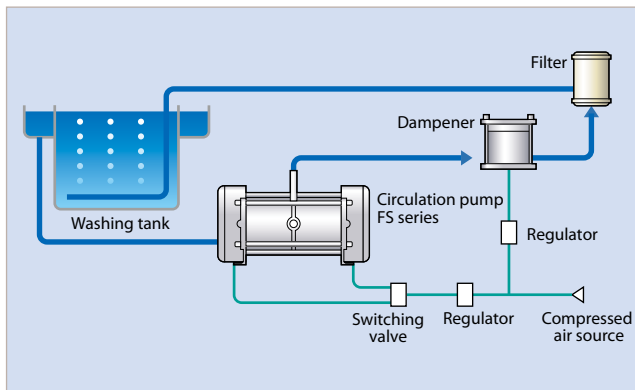
## Specification

Model	PD-15H		PD-30H		PD-60H	
Applicable pumps	FS-15HT1/T2		FS-30HT1/T2		FS-60HT1/T2	
Max. supplied air pressure MPa	5-100	101-180	5-100	101-180	5-100	101-180
Liquid temperature range °C	0.3	0.2	0.3	0.2	0.3	0.2
Supply air pressure range MPa	0.15-0.3	0.15-0.2	0.15-0.3	0.15-0.2	0.15-0.3	0.15-0.2
Pulsation pressure range* MPa	0.04 or less					
Connection size	1/2" PFA tube		3/4" PFA tube		φ25×φ22mm PFA tube	
Supply air connection size	Rc1/8					
Wet-end materials	PTFE, PFA					

\*Liquid viscosity should be 50mPa·s or below.

Note : The damper cannot be used at a pressure above the level specified for the pump.

## Example of installation



### Automatic dampeners PDA-H1/WB/W

FS-H FW FW-H FF FF-H FA

- Automatic pressure adjustment minimizes downtime, eliminates manual adjustments.
- Liquid inside the bellows can be easily drained. (PDA-WB/W model)
- The PDA-H1 is a medium pressure design for use with the FF, FF-H, and FA pumps. The PDA-WB is a high-pressure design suitable for use with the FW, FW-H, and FS-H pumps. Typical applications include drug delivery and dispensing.
- The PDA-WB/W includes a leak sensor as standard. (For the PDA-H1, a leak sensor is available through special order.)
- For the PDA-WB/W, only the specified liquid pipe joint can fit the model. Please contact us before use to check if your joint is applicable.



### Automatic dampeners PDA-100WBN

#### For the FS-100NF only

- Automatic pressure adjustment minimizes downtime, eliminates manual adjustments.
- Dampener pressure is automatically adjusted to the minimum pulse pressure even if the pump discharge load changes due to a clogged filter. The unit prevents particles being released from the filter and the pinging vibration.
- A leak sensor is included as a standard.



**Specification**

Model	PDA/PD-10H1	PDA/PD-20H1	PDA/PD-40H1
Applicable pumps	FF-10B/CT1	FF-20B/CT1 FF-20HT	FA-40VEW FF-40HT1
Liquid temperature range °C	20 - 180		
Max. supplied air pressure MPa	0.3		0.4
Pulsation pressure range MPa	0.04 or less		
Connection size	1/2" PFA tube	3/4" PFA tube	ø25xø22mm PFA tube
Supply air connection size	Rc1/4		
Wet-end materials	PTFE, PFA		

Model	PDA-20WB/W	PDA-40WB/W	PDA-80WB/W
Applicable pumps	FW-20/FW-20H/ FS-15/FS-30	FW-40/FW-40H/ FS-60	FW-80
Liquid temperature range °C	10 - 100	101-150	151-180
Max. supplied air pressure MPa	0.5	0.3	0.2
Pulsation pressure range MPa	0.06 or less		
Connection size	ø19 x ø16mm PFA tube	ø25 x ø22mm PFA tube	
Supply air connection size	Rc1/4		
Wet-end materials	PTFE, PFA		

Note 1: The damper cannot be used at a pressure above the level specified for the pump.  
 Note 2: The range of pulse pressures depends on conditions of usage. For further information, please call us.  
 Note 3: For the PDA-WB, some joints are not applicable. Please contact us for details.

Model	PDA-100WBN
Applicable pumps	FS-100NF
Max. supplied air pressure MPa	0.7
Liquid temperature range °C	5 - 60
Supply air pressure range MPa	0.2 - 0.7
Pulsation pressure range* MPa	0.15 or less
Connection size	25A
Supply air connection size	Rc 1/4
Wet-end materials	PTFE

\*Liquid viscosity should be 50mPa·s or below.  
 Note 1: The max. liquid pressure is obtained when a discharge line is shut off.  
 Note 2: Contact us for the special damper for the FS-80NT.

## ■ Quick Exhaust Valve

When installed on the air exhaust lines at the pump the exhaust valve will help to reduce pulsation and prevent particle release from the filter as well as from pipe vibration.

### QEV

Quick exhaust valves should be installed between the pump and the external solenoid valve. This helps to prevent corrosion of the solenoid valve from return air. It also reduces exhaust resistance to allow the bellows to move smoothly through each cycle.



### Specification

Model	Connection size	Applicable pumps
QEV-8V	Rc1/4	FW-20/20H, FF-10/20/20H, FA-2, FS-15/30
QEV-10V	Rc3/8	FW-40/40H, FF-40H, FA-40, FS-60/80N

\*Please contact us for quick exhaust valves for FS-100HT and the FS-100NF.

## ■ Pump Controller/Driver

The external solenoid valve is switched in response to signals from the built-in proximity sensors on each side of the bellows to ensure reliable operation of the pump. Two controller options are available along with one driver option.

### Pump controller FDC-1

FS-H FS-N FA FW FW-H FF FF-H

- The pump discharge rate can be monitored and maintained at a constant level by connecting an electric air regulator (optional) to the pump air supply line. This enables stable flow and filtering even when the discharge load varies due to increased filter resistance. In addition, the service life of the bellows will be maximized because the difference between its internal and external pressures is kept to a minimum.



- The controller can monitor the flow rate, the number of strokes, and the total count.
- The unit operates either in the AUTO mode using external signals or in the MANU mode for manual control.
- The flow rate can be set at two different values as desired.
- In addition to the sensor mode using the proximity sensors, the timer mode is included as a standard feature. This enables continued pump operation in the timer mode in case of the failure of a proximity sensor.
- The unit is equipped with various alarm displays and output functions, including leak alarm and a pump malfunction alarm.

### Specifications

<b>General specification</b>	Power source	DC24V ±10%
	Power consumption	24VA max.
	Ambient temperature	0 – 50°C
	Working atmosphere	Without corrosive gas in surrounding areas
<b>Input specification</b>	Start, Alarm reset	No-voltage contact or open collector Voltage ON: 3V maximum Voltage OFF: 18V maximum
	<b>Output specification (external output)</b>	Leak alarm Pump malfunction alarm Life alarm First alarm
<b>Dimensions in mm</b>	W158 x D152 x H48	

■ Chemical replenishing system

**CFD-1T-B**

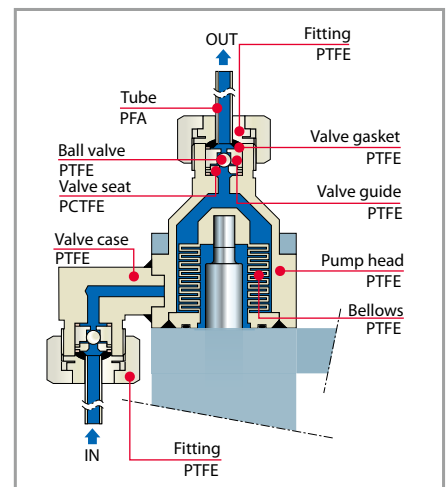
**With a resolution of up to 1.0mL/shot fine dispense volumes can be achieved**

- The resolution of the CFD-1T-B has been greatly improved compared to our existing models. The minimum flow of 1mL/shot offers greater accuracy in chemical condensation control that is required in the wafer cleaning process. The CFD-1T-B always feeds the correct quantity of chemical without overshoot eliminating excess liquid wastage. In addition, the anti-siphon mechanism prevents unintentional siphoning.
- The fluoroplastic wet end (PTFE, PFA, PCTFE) is capable of handling strong acids, alkalines and hydrogen peroxide, typical chemicals required for semiconductor processing. PTFE, PFA, PP, PVC external parts and PTFE coated screws provide additional protection against chemical attack from harsh environments.
- Adjustment of the stroke length to give between 1.0-2.7mL/shot is simple by removal of the bottom cover (Factory default is 1.0mL/shot).
- Every unit is equipped with a leakage sensor to immediately detect a leak.

\*An 8 mL/shot type is also available. Please contact us for more information.



**Construction and materials**

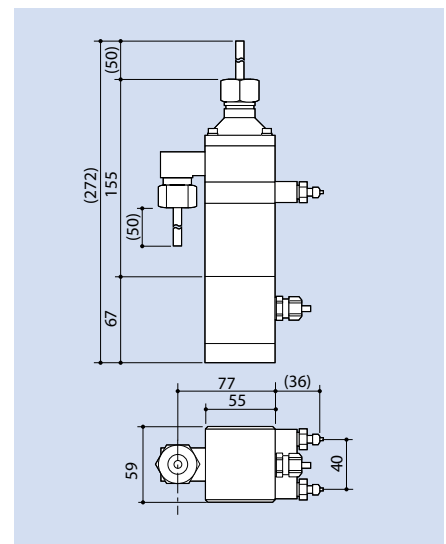


**Specifications**

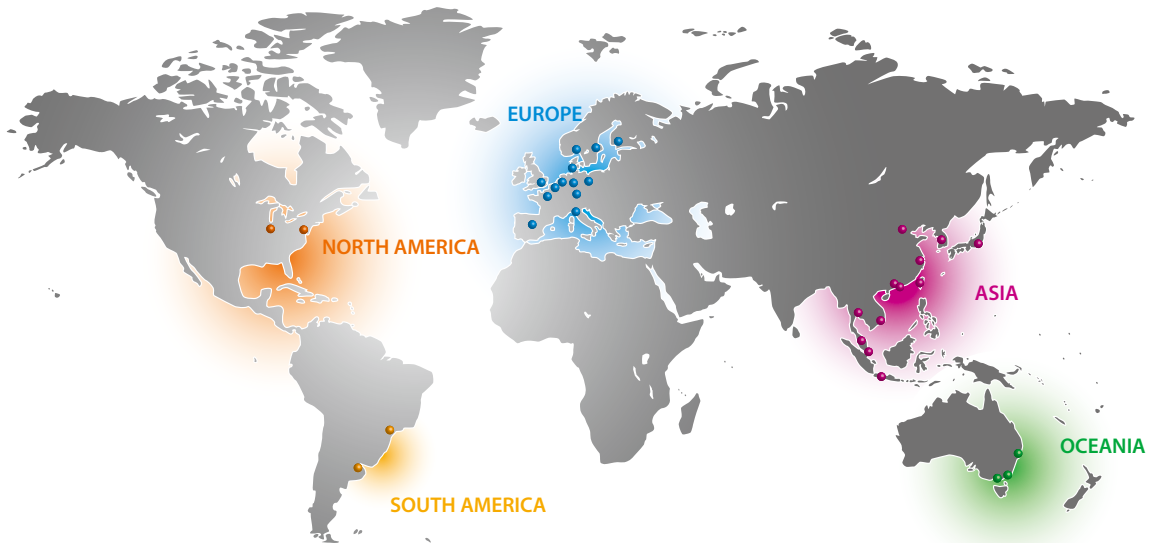
	Application	Chemical replenishing
<b>Pump specification</b>	Discharge capacity mL/shot	1mL/shot
	Max. discharge pressure MPa	0.05MPa
	Liquid temperature range °C	20 - 60°C
	Max.stroke speed spm	30spm
	Max. supply air pressure MPa	0.15 - 0.3MPa
	Max. air consumption NL/min	2.5NL/min
	Wet end materials	PTFE, PFA, PCTFE
	Liquid port bore	1/4" PFA tube (6.35x4.35)
	Supply air port bore	Rc1/8
	Weight kg	1.1kg
<b>Photosensor specification</b>	Model	Transmission type micro photo sensor
	Power voltage	5 - 24V DC±10%
	Output mode	NPN transistor open collector
	Allowable current	50mA or below
	Cord	5m PVC four-core cable (Outer dia.5.2mm) with 0.5 - round terminal

\*Please request a separate drawing for external dimensions.

**Dimensions in mm**



# IWAKI World-wide Network



IWAKI Saitama plant



IWAKI Miharu plant



**IWAKI CO., LTD.** 6-6 Kanda-Sudacho 2-chome Chiyoda-ku Tokyo 101-8558 Japan TEL : (81)3 3254 2935 FAX : 3 3252 8892

IWAKI has global net work. Please find your distributor location at [www.iwakupumps.jp](http://www.iwakupumps.jp)

European office : IWAKI Europe GmbH  
 Germany : IWAKI Europe GmbH  
 Holland : IWAKI Europe GmbH (Netherlands Branch)  
 Italy : IWAKI Europe GmbH (Italy Branch)  
 Spain : IWAKI Europe GmbH (Spain Branch)  
 Belgium : IWAKI Belgium N.V.  
 Denmark : IWAKI Nordic A/S  
 Finland : IWAKI Suomi Oy  
 France : IWAKI France S.A.  
 Norway : IWAKI Norge AS  
 Sweden : IWAKI Sverige AB  
 U.K. : IWAKI Pumps (UK) Ltd.

TEL: (49)2154 9254 0 FAX: 2154 9254 48  
 TEL: (49)2154 9254 50 FAX: 2154 9254 55  
 TEL: (31)74 2420011 FAX: (49)2154 925448  
 TEL: (39)0444 371115 FAX: 0444 335350  
 TEL: (34)93 37 70 198 FAX: 93 47 40 991  
 TEL: (32)13 67 02 00 FAX: 13 67 20 30  
 TEL: (45)48 24 2345 FAX: 48 24 2346  
 TEL: (358)9 2745810 FAX: 9 2742715  
 TEL: (33)1 69 63 33 70 FAX: 1 64 49 92 73  
 TEL: (47)23 38 49 00 FAX: 23 38 49 01  
 TEL: (46)8 511 72900 FAX: 8 511 72922  
 TEL: (44)1743 231363 FAX: 1743 366507  
 ( ) Country codes

U.S.A. : IWAKI America Inc.  
 Argentina : IWAKI America Inc. (Argentina Branch)  
 Brasil : IWAKI Do Brasil Comercio De Bombas Hidraulicas LTDA.  
 Singapore : IWAKI Singapore Pte Ltd.  
 Indonesia : IWAKI Singapore (Indonesia Office)  
 Malaysia : IWAKIm Sdn. Bhd.  
 Australia : IWAKI Pumps Australia Pty Ltd.  
 Hong Kong : IWAKI Pumps Co., Ltd.  
 China : GFTZ IWAKI Engineering & Trading Co., Ltd.  
 : IWAKI Pumps (Shanghai) Co., Ltd.  
 Korea : IWAKI Korea Co., Ltd.  
 Taiwan : IWAKI Pumps Taiwan Co., Ltd.  
 Thailand : IWAKI (Thailand) Co., Ltd.

TEL: (1)508 429 1440 FAX: 508 429 1386  
 TEL: (54)11 4745 4116 FAX: 19 3244 5900  
 TEL: (55)19 3244 5900 FAX: 6316 3221  
 TEL: (65)6316 2028 FAX: 21 6906612  
 TEL: (62)21 6906606 FAX: 3 7803 4800  
 TEL: (60)3 7803 8807 FAX: 2 9899 2421  
 TEL: (61)2 9899 2411 FAX: 2607 1000  
 TEL: (852)2607 1168 FAX: 20 84359181  
 TEL: (86)20 84350603 FAX: 21 6272 6929  
 TEL: (86)21 6272 7502 FAX: 21 6272 6929  
 TEL: (82)2 2630 4800 FAX: 2 2630 4801  
 TEL: (886)2 8227 6900 FAX: 2 8227 6818  
 TEL: (66)2 322 2471 FAX: 2 322 2477

**Caution for safety use:**  
 Before use of pump, read instruction manual carefully to use the product correctly.

**Legal attention related to export.**

Our products and/or parts of products fall in the category of goods contained in control list of international regime for export control. Please be reminded that export license could be required when products are exported due to export control regulations of countries.

The posting and copying from this catalogue without permission is not accepted firmly.