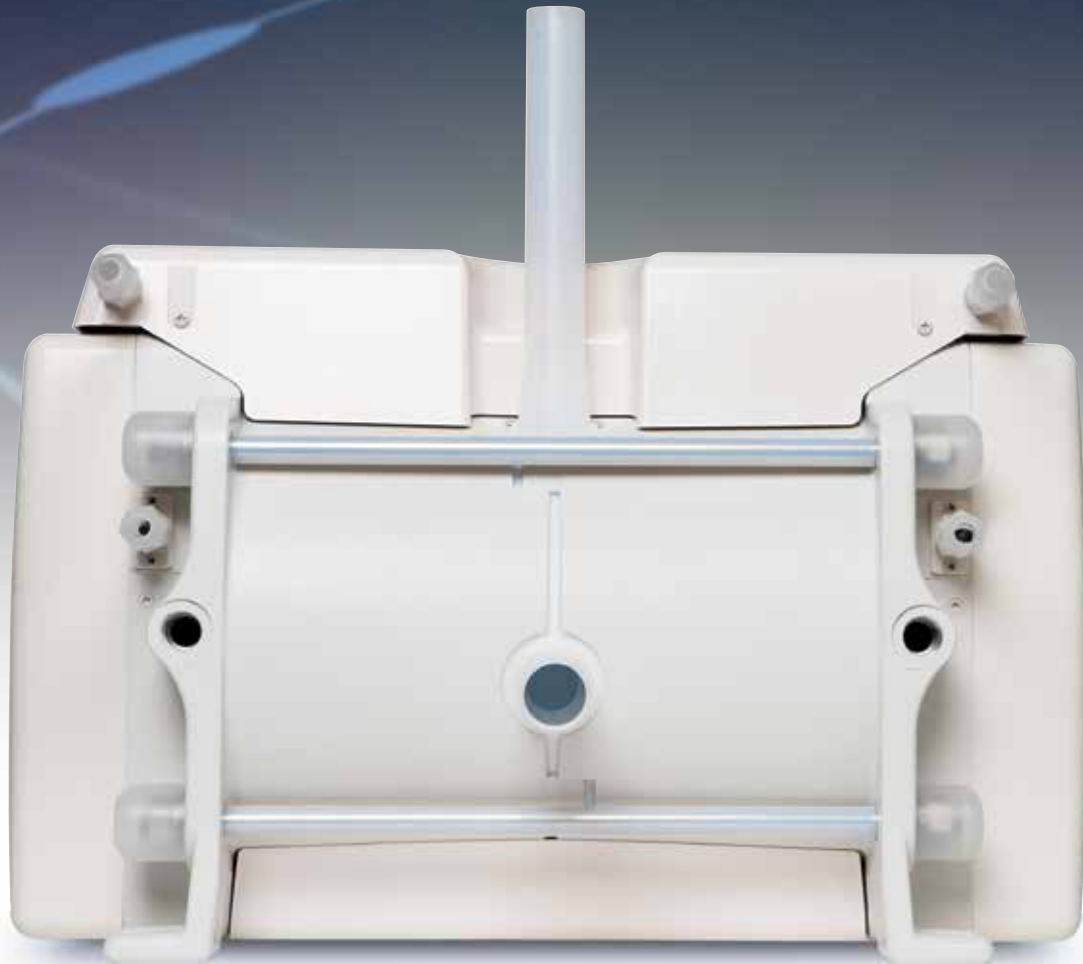


IWAKI
PNEUMATIC DRIVE
LOW PULSATION
BELLOWS PUMPS

FLP-60W



The FLP-60W reduces discharge pulsation without the use of a separate dampener, reducing the total cost of installation.



The unique design of the Iwaki FLP-60W bellows pump achieves low pulsation and high pressure sustaining capability. This produces a stable discharge capacity and pressure without the use of a dampener. Reduced air consumption up to 30% compared to our previous models is also achieved.

Low pulsation

The unique drive mechanism of the system determines and maintains optimum movement of the bellows and supply-air switching to give minimum discharge pulsation. (PAT.)

Reduction of air consumption

Reduced air consumption up to 30% compared to our previous models is achieved with no reduction of pump performance.

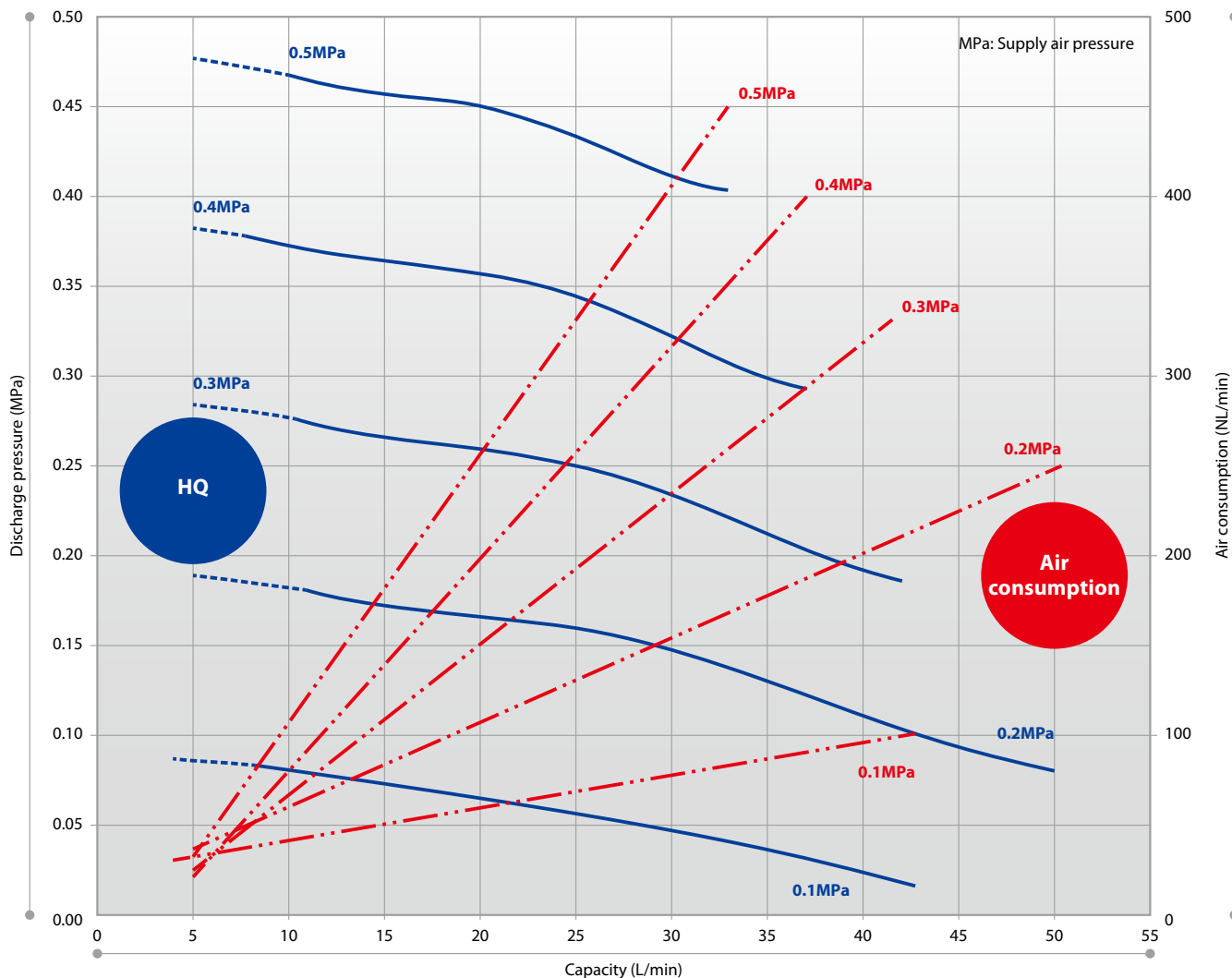
High sustained pressure capability

The optimum bellows movement improves pressure sustaining capability to maintain stable discharge capacity and pressure under frequent load change, especially in single wafer processing.

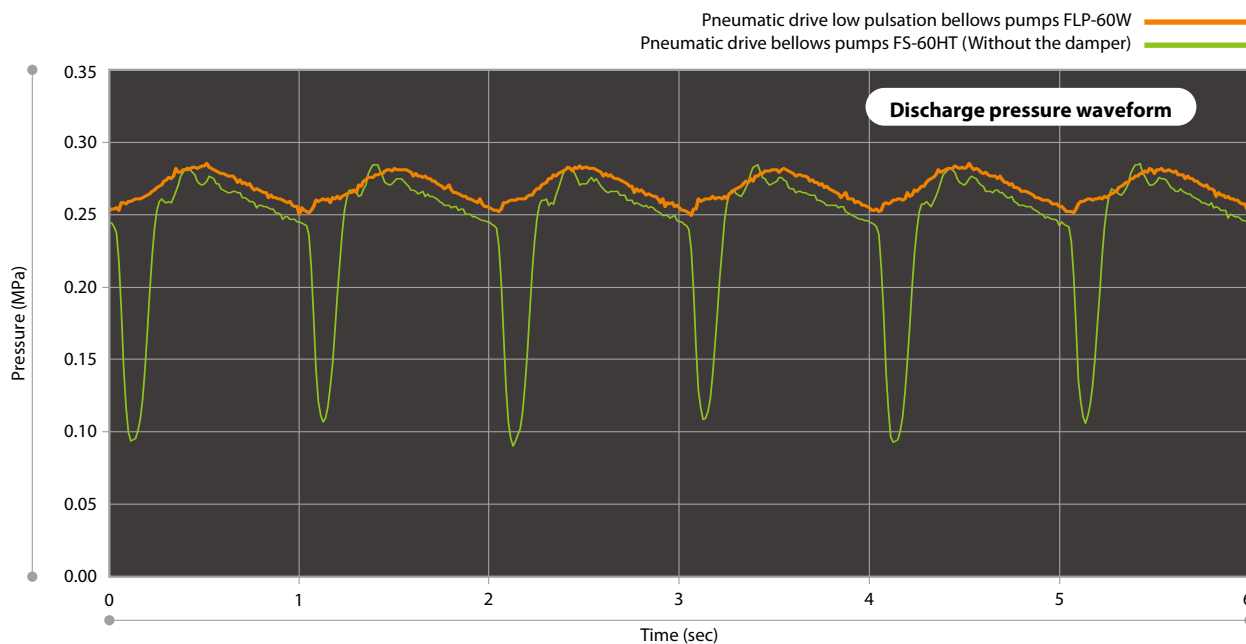
Elimination of a dampener

The pump works without the use of a dampener, saving space inside equipment & installation costs such as fluoroplastic joints. The total weight/size of the equipment is also minimized.

Performance curves



Compared to existing pumps



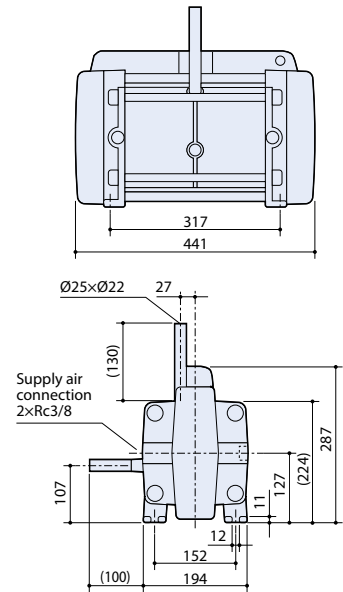
Sharp drops of discharge pressure are minimized, reducing the pulsation compared to existing pumps, Suction pressure drops are at the same level as existing pumps, but the pulsation width has been reduced.

Specification of pumps

Model	FLP-60W					
Max. discharge capacity ^{Note1}	L/min	50				
Max. pulsation width	MPa	0.06				
Liquid temperature range (Max. supply air pressure)	°C(MPa)	5 to 100 (0.5), 101 to 150 (0.4), 151 to 180 (0.3)				
Supply air pressure range	MPa	0.41 to 0.5	0.31 to 0.4	0.21 to 0.3	0.11 to 0.2	0.1
Max. stroke rate	spm	120	140	155	160	
Max. air consumption	NL/min	464	419	338	252	116
Max. viscosity	mPa·s	50				
Suction lift ^{Note2}	m	1				
Ambient temperature/humidity	°C/%RH	0 to 40 (non-condensing) / 30 to 60 (non-condensing)				
Storage temperature/humidity	°C/%RH	-10 to 60 (non-condensing) / 20 to 70 (non-condensing)				
Installation location		Do not install the pump Out of doors. / In a dusty environment.				
Pump connection size	mm	Ø25×Ø22 tube				
Supply air connection size		Rc3/8				
Purge air port		Ø6 one touch joint				
Mass	kg	22				

Note1: The max. discharge capacity is based on pumping clean water at an ambient temperature and the supply air pressure of 0.2MPa.
 Note2: The suction lift is based on pumping clean water at an ambient temperature and the maximum spm.

Dimensions in mm



The same dimensions as the FS-60HT2 in width, depth, and base dimensions as well as inlet & outlet locations allows for simple pump replacement.

Pump controller LPC-1



Specification

Power voltage	24VDC (-5% to +10%)
Max. power consumption	LPC-1: 0.11A 24VDC signal: 1.8A
Ambient temperature / humidity	0 to 50°C (non-condensing) / 5 to 90%RH (non-condensing)
Storage temperature / humidity	-10 to 60°C (non-condensing) / 5 to 90%RH (non-condensing)
Installation location	Do not install the controller Out of doors. / In a dusty environment. / Under vibration or impact. Where the pump can get wet with water or oil. / In a corrosive atmosphere.
Operation rating	This product is not explosion-proof (Do not install the pump under flammable explosive atmosphere)
Mass	1.3kg
Alarm	Leak alarm/Time up alarm/First alarm Electro pneumatic regulator alarm
Other function	In addition to normal operation, constant flow control is also possible. In addition, low pulsation is maintained even during constant flow control.

European Norm (EMC directive): This product conforms to EN61326-1: 2006 Class A. Observe the EMC requirement, or malfunction or damage of the product may result.

Quick exhaust valve QEV



Specification

Connection bore	QEV-10V: Rc3/8, QEV-15V: Rc1/2
Supply air pressure range	0.1 to 0.5 MPa
Ambient temperature	5 to 40°C
Fluid name	Compressed air
Fluid temperature	5 to 40°C
Effective cross-section area (CV value)	QEV-10V: IN→OUT 29mm ² (1.5) OUT→EXH 33mm ² (1.8)
	QEV-15V: IN→OUT 69mm ² (3.8) OUT→EXH 82mm ² (4.6)
Oil supply	N/A
Mounting position	N/A

- The QEV installed in between the pump and solenoid valve prevents corrosion of the solenoid valve by return air.
- The QEV reduces the resistance of air exhaust to smooth the bellows motion.

IWAKI CO., LTD. 6-6 Kanda-Sudacho 2-chome Chiyoda-ku Tokyo 101-8558 Japan TEL: (81)3 3254 2935 FAX: 3 3252 8892

IWAKI has global net work. Please find your distributor location at www.iwakupumps.jp

European office : IWAKI Europe GmbH
 Germany : IWAKI Europe GmbH
 Holland : IWAKI Europe GmbH (Netherlands Branch)
 Italy : IWAKI Europe GmbH (Italy Branch)
 Spain : IWAKI Europe GmbH (Spain Branch)
 Belgium : IWAKI Belgium N.V.
 Denmark : IWAKI Nordic A/S
 Finland : IWAKI Suomi Oy
 France : IWAKI France S.A.
 Norway : IWAKI Norge AS
 Sweden : IWAKI Sverige AB
 U.K. : IWAKI Pumps (UK) Ltd.

TEL: (49)2154 9254 0 FAX: 2154 9254 48
 TEL: (49)2154 9254 50 FAX: 2154 9254 65
 TEL: (31)74 2420011 FAX: (49)2154 9254 48
 TEL: (39)0444 371115 FAX: 0444 335350
 TEL: (34)93 37 70 198 FAX: 93 47 40 991
 TEL: (45)48 24 2345 FAX: 48 24 2346
 TEL: (358)9 2745810 FAX: 9 2742715
 TEL: (33)1 69 63 33 70 FAX: 1 64 49 92 73
 TEL: (47)23 38 49 00 FAX: 23 38 49 01
 TEL: (46)8 511 72900 FAX: 8 511 72922
 TEL: (44)1743 231363 FAX: 1743 366507

() Country codes

U.S.A. : IWAKI America Inc.
 Argentina : IWAKI America Inc. (Argentina Branch)
 Brasil : IWAKI Do Brasil Comercio De Bombas Hidraulicas Ltda.
 Singapore : IWAKI Singapore Pte Ltd.
 Indonesia : IWAKI Singapore (Indonesia Office)
 Malaysia : IWAKI Sdn. Bhd.
 Australia : IWAKI Pumps Australia Pty Ltd.
 Hong Kong : IWAKI Pumps Co., Ltd.
 China : GFTZ IWAKI Engineering & Trading Co., Ltd.
 : IWAKI Pumps (Shanghai) Co., Ltd.
 Korea : IWAKI Korea Co., Ltd.
 Taiwan : IWAKI Pumps Taiwan Co., Ltd.
 Thailand : IWAKI (Thailand) Co., Ltd.

TEL: (1)508 429 1440 FAX: 508 429 1386
 TEL: (54)11 4745 4116
 TEL: (55)19 3244 5900 FAX: 19 3244 5900
 TEL: (65)6316 2028 FAX: 6316 3221
 TEL: (62)21 6906606 FAX: 21 6906612
 TEL: (60)3 7803 8807 FAX: 3 7803 4800
 TEL: (61)2 9899 2411 FAX: 2 9899 2421
 TEL: (852)2607 1168 FAX: 2607 1000
 TEL: (86)20 84350603 FAX: 20 84359181
 TEL: (86)21 6272 7502 FAX: 21 6272 6929
 TEL: (82)2 2630 4800 FAX: 2 2630 4801
 TEL: (886)2 8227 6900 FAX: 2 8227 6818
 TEL: (66)2 322 2471 FAX: 2 322 2477

Caution for safety use: Before use of pump, read instruction manual carefully to use the product correctly.

Actual pumps may differ from the photos. Specifications and dimensions are subject to change without prior notice. For further details please contact us.

Legal attention related to export.

Our products and/or parts of products fall in the category of goods contained in control list of international regime for export control. Please be reminded that export license could be required when products are exported due to export control regulations of countries.

The posting and copying from this catalogue without permission is not accepted firmly.