

IWAKI ELECTROMAGNETIC METERING PUMPS

EWN-Y



Upgraded software with New Features & Improved Functions

New Features

- Feedback control is now available with digital pulse signal operation in addition to analog control.
- Alarm output can be programmed for either normally open or normally closed operation.

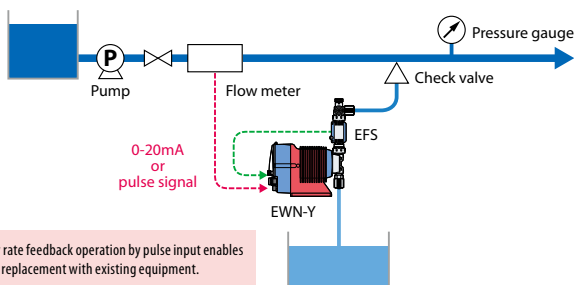
The new EWN-Y electromagnetic pump combined with EFS flow sensor provides accurate real time control & display of dosing rate.

The required flow rate is simply input to the pump. Through feedback from the EFS sensor, the pump constantly adjusts its speed to maintain the set dosing rate - even under changing temperature or suction & discharge pressure conditions.

The EFS is mounted directly on the pump to digitally display dosing rate per minute or hour - ALL WITHOUT ANY CALIBRATION.

The EWN-Y gives a proportional 4-20mA output signal of dosing rate and displays operating history such as total flow volume and power-on time.

Application example

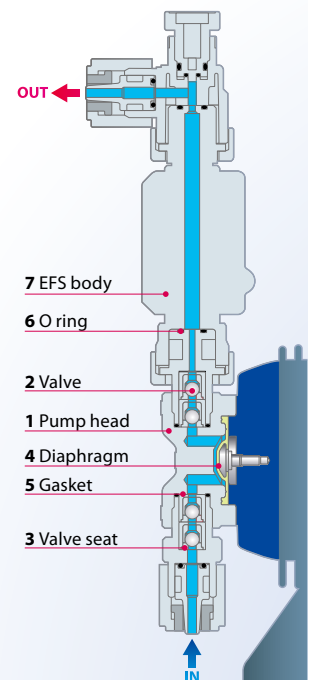


Flow rate feedback operation by pulse input enables easy replacement with existing equipment.

- The EWN-Y pump automatically recognizes the EFS sensor when connected and powered.
- Install a CAN check valve when discharge-line length is less than 3m.
- Use a CBN check valve (purchase separately) when discharge-line length is 3m or more.
- The EFS sensor may not measure dosing rate if non-conductive media such as oil are present. Remove such impurities from dosing pipework before using the EFS, to give the required minimum conductivity of 1000mS/m.

Wet-end materials

	VC	VH
1 Pump head	PVC	
2 Valve	Alumina ceramics	Hastelloy C276
3 Valve seat	FKM	EPDM
4 Diaphragm	PTFE+EPDM EPDM is not wet-end	
5 Gasket	PTFE	
6 O ring	FKM	EPDM
7 EFS body	PVDF	
EFS electrode	Titanium	Hastelloy C22 or equivalent



Specifications

Pump

Model	EWN-B11	EWN-B16	EWN-B21	EWN-B31	EWN-C16	EWN-C21	EWN-C31	EWN-C36	
Max. discharge capacity	mL/min	38	65	100	200	80	130	270	420
	mL/shot	0.05 to 0.11	0.09 to 0.18	0.14 to 0.28	0.28 to 0.56	0.09 to 0.22	0.14 to 0.36	0.3 to 0.75	0.47 to 1.17
Max. discharge pressure	MPa	1.0	0.7	0.4	0.2	1.0	0.7	0.35	0.2
Stroke rate	% (spm)	0.1 to 100 (1 to 360)							
Stroke length	% (mm)	50 to 100 (0.5 to 1.0)				40 to 100 (0.5 to 1.25)			
Current	A	0.8				1.2			
Average power consumption	W	20				24			

- The specification above is based on pumping clean water at room temperature and rated voltage.
- Flow rates were collected at the maximum discharge pressure, 100% stroke length and 360spm.

Controller

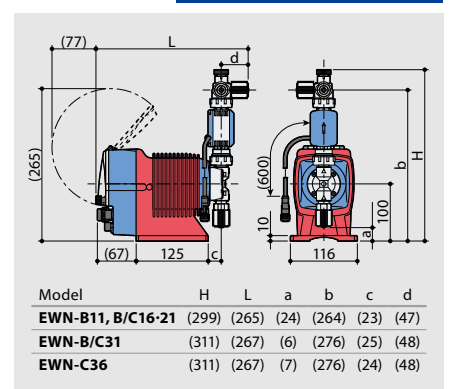
Operation mode	MAN control	Operation at MAN speed	0.1 to 100.0% (1 to 360spm)
		Feedback control	0.1 to 999.9mL/min 0.001 to 59.994L/H 0.001 to 15.828GPH
	EXT control	ANA.R (analogue rigid)	4-20, 20-4, 0-20, 20-0mA (proportional operation with stroke rate)
		ANA.V (analogue variable)	2 point setting (set point 1 and 2, flow rate or stroke rate)
		BATCH (batch operation)	0.1 to 99999.9mL 0.001 to 99.999L 0.001 to 26.385G
PLS (pulse operation)	2 point setting (set point 1 and 2, flow rate or stroke rate) ^{Note1}		
Display	LCD	14x5 backlit LCD ^{Note2} indicates operating conditions, a flow rate and units.	
	LED	ON Green/Orange x1	Lights orange as powered on. Blinks green while ready for operation
		STOP Red/Orange x1	Lights red at STOP signal input, Lights orange at Pre-STOP signal input
	OUT Red x1	Flashes at each output	
Keypad	5 keys	START/STOP, EXT, ▲, ▼, Disp	
Control function	STOP/Pre-STOP	Pump keeps running during Pre-STOP signal input Operation stop at STOP signal input ^{Note3}	
	Priming (PRIME)	Max spm operation by pressing ▲ and ▼ keys	
	Key lock	Keypad lock and release	
	Inter lock	Operation stop at contact input ^{Note3}	
	Calibration	Setting of the liquid volume per shot	
	Buffer	BATCH Buffer on/off, Accumulated to the maximum volume at each rate	
	Upper limit ^{Note4}	Stroke rate 100.0% (fixed rate), Standard: 360spm / High compression: 180spm / High pressure and viscosity: 240spm	
Input	Buffer pulse ^{Note5}	No voltage contact or open collector ^{Note6}	
	Analogue	0 to 20 mADC (input resistance 220Ω)	
	STOP/Pre-STOP (level sensor)	No voltage contact or open collector ^{Note6}	
	AUX	No voltage contact or open collector ^{Note6}	
	Interlock	No voltage contact or open collector ^{Note6}	
	Batch Start/Stop	No voltage contact or open collector ^{Note6}	
Output	Pulse	No voltage contact or open collector ^{Note6}	
	OUT1	No voltage contact (mechanical relay) 250VAC at 3A (resistance load), Enable or disable the alarms of STOP, Pre-STOP, Interlock, Batch, Out of measurement and Poor flow	
	OUT2	No voltage contact (photoMOS) 24 VAC/DC at 0.1A, Enable or disable the alarms of STOP, Pre-STOP, Interlock, Batch, Out of measurement and Poor flow or Synchronous output (sensor/pump) ^{Note7}	
Analogue	4 to 20mADC (The max load resistance is 500Ω)		
Buffer memory	Nonvolatile memory		
Power voltage ^{Note8}	100 to 240VAC 50/60Hz		

Electromagnetic flow sensor

Model	Capacity	Accuracy	Pump
EFS-05	Above 40mL/min	±5%RD	EWN-B11/16/21, EWN-C16/21
	Below 40mL/min	±2mL/min	
EFS-10	Above 120mL/min	±5%RD	EWN-B31, EWN-C31/36
	Below 120mL/min	±2mL/min	

- Note1: The maximum frequency of the input pulse is 500Hz (Duty 50:50).
- Note2: A push of any keypad lightens the backlit LCD. The LCD stops lightening 1 minute after the last key operation. When the backlit LCD lights up, key operation is possible.
- Note3: Operation start at contact input is also programmable.
- Note4: The pump can not run over the upper limit even if set to run beyond that speed in an EXT mode.
- Note5: The maximum frequency of the input pulse is 100Hz (Duty 50:50).
- Note6: The maximum applied voltage is 12V at 2.3mA. The minimum application load should be 1mA or below when using a relay.
- Note7: Output can be programmed to open or close with Alarm.
- Note8: Observe the allowable voltage of 90 to 264VAC. Otherwise failure may result.

Dimension (mm)



Pump identification

EWN - B 11 VC 1 J Y - FT - 00

- Drive unit symbol** (Average power consumption)
B: 20W
C: 24W
- Wet-end materials symbol**
VC, VH
For details, see the table of materials.
- Diaphragm diameter**
11: 10mm
16: 15mm
21: 20mm
31: 30mm
36: 35mm
- Connection**
1: Ø4xØ9 (B11/16/21, C16/21)
4: Ø8xØ13 (B31, C31, C36)
- Power code**
J: Japan/Asia
- Controller function code**
Y: High functional
- Electromagnetic flow sensor code**

Code	Dia.	Body material	Electrode	O ring
FT	05/10	PVDF	Titanium	FKM
FF	05/10	PVDF	Hastelloy C22 or equivalent	FKM
FH	05/10	PVDF	Hastelloy C22 or equivalent	EPDM

IWAKI CO., LTD. 6-6 Kanda-Sudacho 2-chome Chiyoda-ku Tokyo 101-8558 Japan TEL : (81)3 3254 2935 FAX : 3 3252 8892 IWAKI has global net work. www.iwakupumps.jp Please find your distributor location at

European office : IWAKI Europe GmbH	TEL: (49)2154 9254 0	FAX: 2154 9254 48	U.S.A. : IWAKI America Inc.	TEL: (1)508 429 1440	FAX: 508 429 1386
Germany : IWAKI Europe GmbH	TEL: (49)2154 9254 50	FAX: 2154 9254 55	Argentina : IWAKI America Inc. (Argentina Branch)	TEL: (54)11 4745 4116	
Holland : IWAKI Europe GmbH (Netherlands Branch)	TEL: (31)74 2420011	FAX: (49)2154 925448	Singapore : IWAKI Singapore Pte Ltd.	TEL: (65)6316 2028	FAX: 6316 3221
Italy : IWAKI Europe GmbH (Italy Branch)	TEL: (39)0444 371115	FAX: 0444 335350	Indonesia : IWAKI Singapore (Indonesia Office)	TEL: (62)21 6906606	FAX: 21 6906612
Spain : IWAKI Europe GmbH (Spain Branch)	TEL: (34)93 37 70 198	FAX: 93 47 40 991	Malaysia : IWAKIm Sdn. Bhd.	TEL: (60)3 7803 8807	FAX: 3 7803 4800
Belgium : IWAKI Belgium N.V.	TEL: (32)13 67 02 00	FAX: 13 67 20 30	Australia : IWAKI Pumps Australia Pty Ltd.	TEL: (61)2 9899 2411	FAX: 2 9899 2421
Denmark : IWAKI Nordic A/S	TEL: (45)48 24 2345	FAX: 48 24 2346	Hong Kong : IWAKI Pumps Co., Ltd.	TEL: (852)2607 1168	FAX: 2607 1000
Finland : IWAKI Suomi Oy	TEL: (358)9 2745810	FAX: 9 2742715	China : GFTZ IWAKI Engineering & Trading Co., Ltd.	TEL: (86)20 84350603	FAX: 20 84359181
France : IWAKI France S.A.	TEL: (33)1 69 63 33 70	FAX: 1 64 49 92 73	: IWAKI Pumps (Shanghai) Co., Ltd.	TEL: (86)21 6272 7502	FAX: 21 6272 6929
Norway : IWAKI Norge AS	TEL: (47)23 38 49 00	FAX: 23 38 49 01	Korea : IWAKI Korea Co., Ltd.	TEL: (82)2 2630 4800	FAX: 2 2630 4801
Sweden : IWAKI Sverige AB	TEL: (46)8 511 72900	FAX: 8 511 72922	Taiwan : IWAKI Pumps Taiwan Co., Ltd.	TEL: (886)2 8227 6900	FAX: 2 8227 6818
U.K. : IWAKI Pumps (UK) Ltd.	TEL: (44)1743 231363	FAX: 1743 366507	Thailand : IWAKI (Thailand) Co., Ltd.	TEL: (66)2 322 2471	FAX: 2 322 2477
		() Country codes	Vietnam : IWAKI Pumps Vietnam Co., Ltd.	TEL: (84)613 933456	FAX: 613 933399

Caution for safety use: Before use of pump, read instruction manual carefully to use the product correctly. Actual pumps may differ from the photos. Specifications and dimensions are subject to change without prior notice. For further details please contact us.

Legal attention related to export. Our products and/or parts of products fall in the category of goods contained in control list of international regime for export control. Please be reminded that export license could be required when products are exported due to export control regulations of countries. The posting and copying from this catalogue without permission is not accepted firmly.